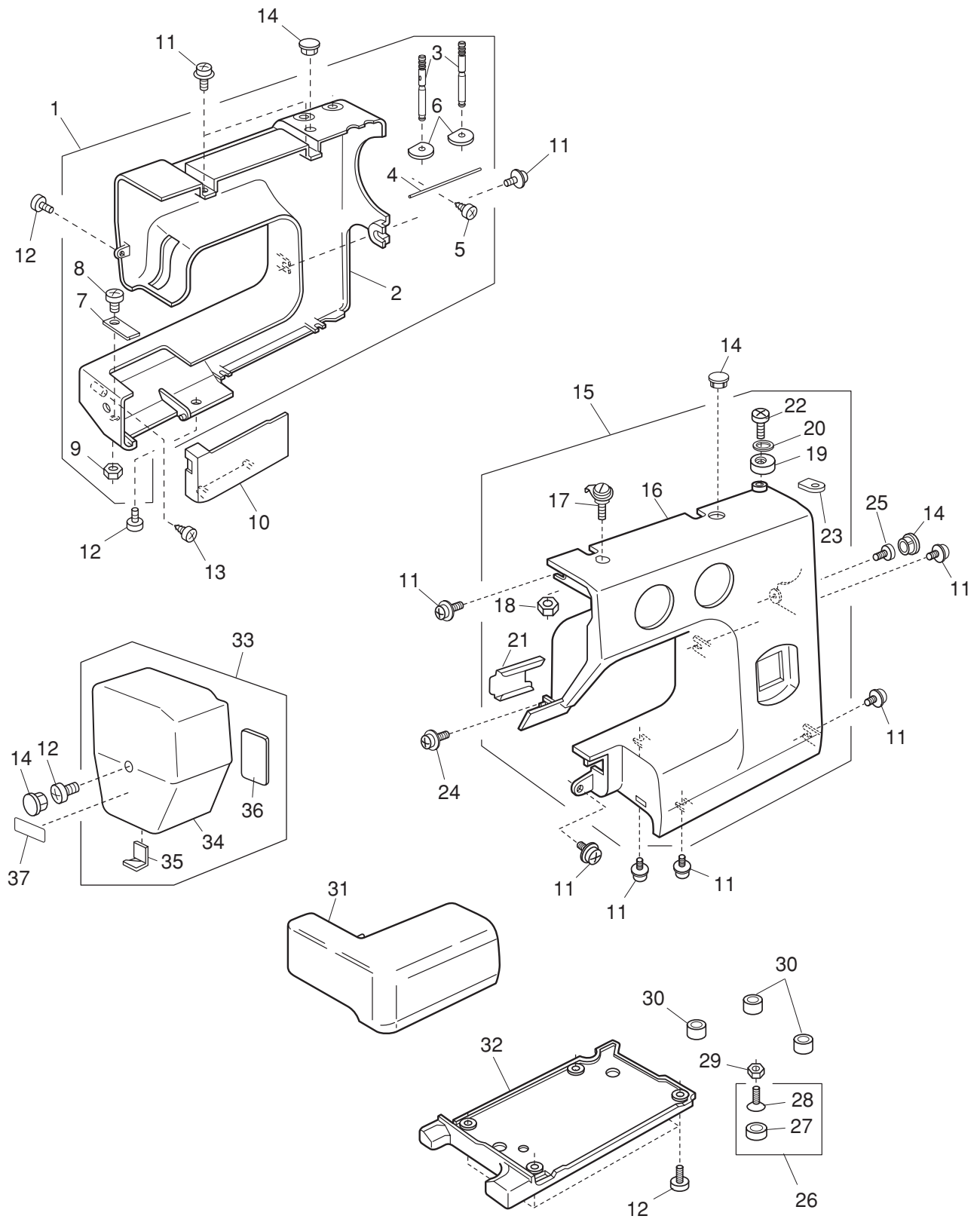


PARTS LIST

MODEL: 1000 Sew 75

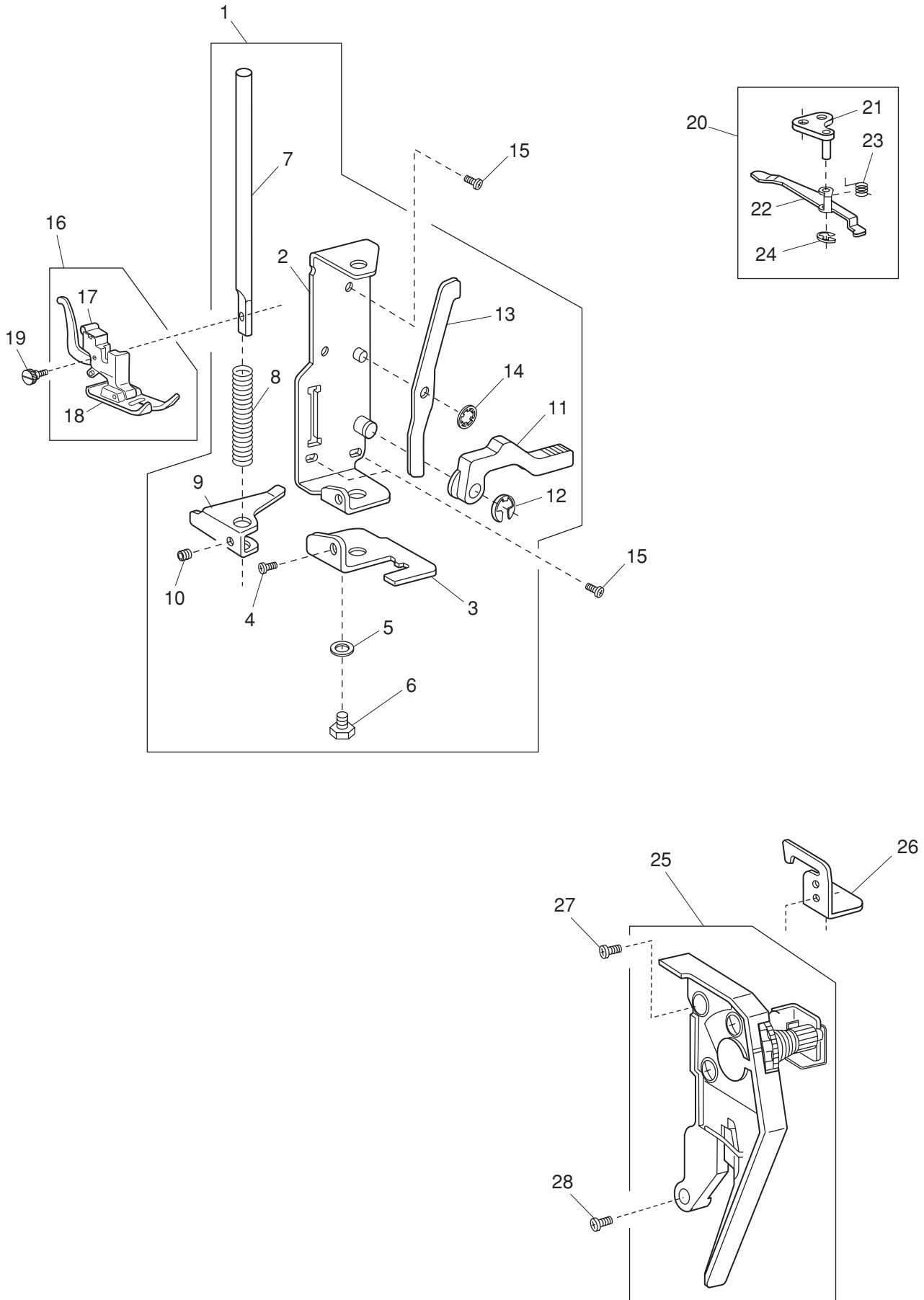
PARTS LIST



PARTS LIST

KEY NO.	PARTS NO.	DESCRIPTION
1	743617099	Rear cover (unit)
2	743003247	Rear cover
3	652205109	Spool pins
4	736007009	Spool pin spring
5	000076317	Tapping screw 3x10
6	735013005	Spool pin spring base
7	730006000	Spring
8	000101404	Setscrew 4x6
9	000061205	Nut
10	739004005	Bed cover
11	000115205	TP screw 4x6
12	000081005	Setscrew 4x8
13	000121905	Tapping screw 4x12 (B)
14	653006101	Cap
15	743621580	Front cover (unit)
16	743056A02	Front cover
17	730501011	Thread guide plate (unit)
18	000160102	Adjustable locl nut 4
19	735016307	Bobbin winder stopper
20	000071013	Washer
21	735123009	Thread guard plate
22	000103107	Setscrew 4x14
23	744014004	Nut
24	000115607	TP screw 4x8
25	000103509	Setscrew 4x10
26	735616200	Rubber base (unit)
27	735002001	Rubber base
28	000097901	Flat screw 5x18
29	000061319	Nut
30	739064003	Bed rubber base
31	743004008	Extension table
32	739005006	Base plate
33	743636577	Face cover (unit) (Netherlands) (Spain)
	743636599	Face cover (unit) (U.S.A.)
34	743198G01	Face cover
35	840602006	Thread cutter (unit)
36	724025006	Face plate sticker
37	830312016	Caution sticker

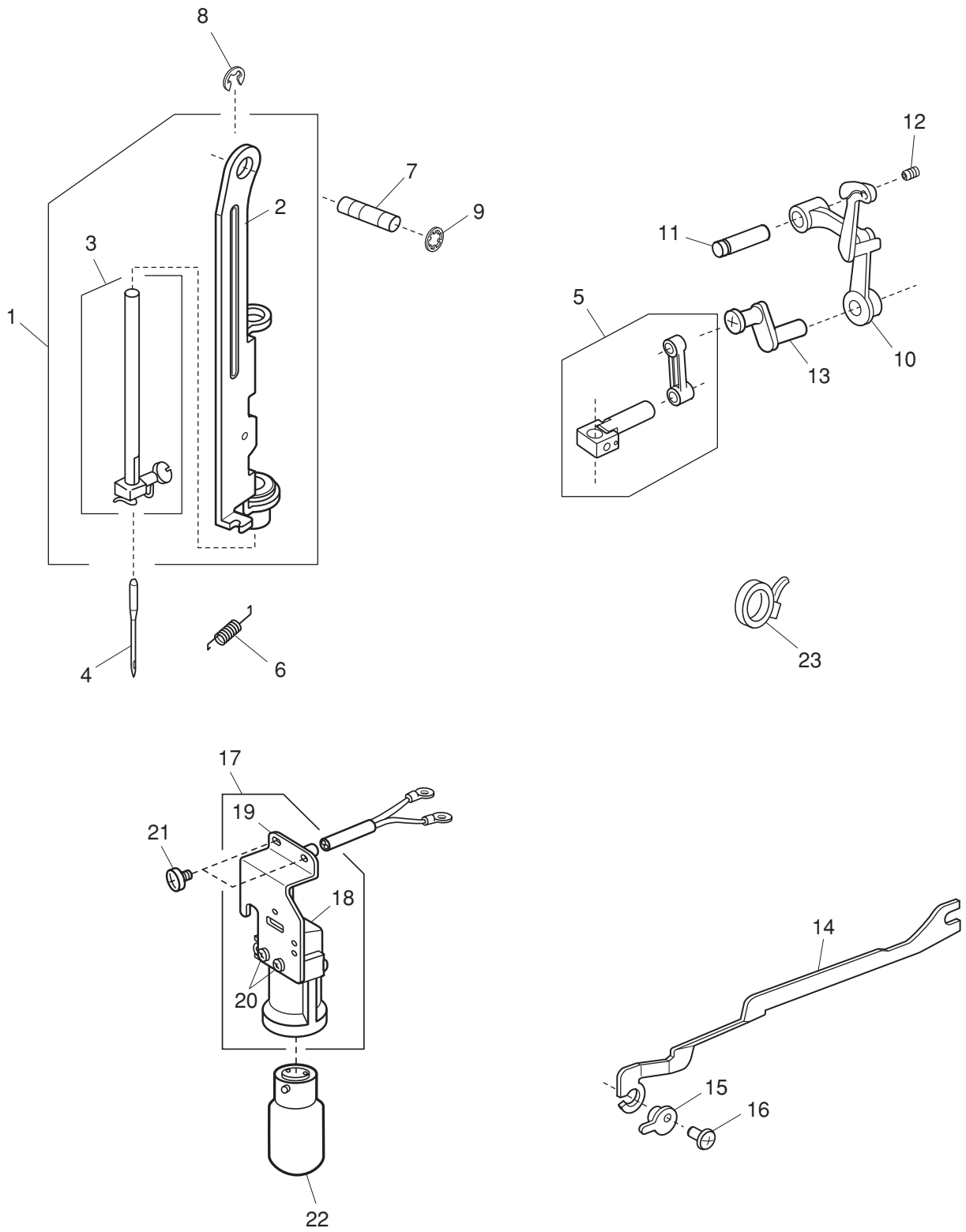
PARTS LIST



PARTS LIST

KEY NO.	PARTS NO.	DESCRIPTION
1	305604303	Presser bar base plate (unit)
2	735221008	Presser bar base plate
3	743212001	Needle drop adjusting plate
4	000101404	Setscrew 4x6
5	000070506	Washer
6	000138307	Bolt 4x8
7	735026001	Presser bar
8	735027002	Presser bar spring
9	735028003	Presser bar bracket
10	000111500	Hexagonal socket screw 4x8
11	735029004	Presser foot lifter
12	000001609	Snap ring E-5
13	735030008	Tension release lever
14	000013903	Snap ring CS-5
15	000081005	Setscrew 4x8
16	301612003	Presser foot (unit)
17	611510000	Presser foot holder (unit)
18	301505002	Zigzag foot (unit)
19	660106001	Thumb screw
20	739605002	Tension release arm (unit)
21	739017001	Tension release arm base
22	739018002	Tension release arm
23	739019003	Tension release spring
24	000002105	Snap ring E-3
25	743503002	Tension assembly (unit)
26	739016000	Top cover thread guide
27	000103808	Setscrew 3x5
28	000101703	Setscrew 4x12

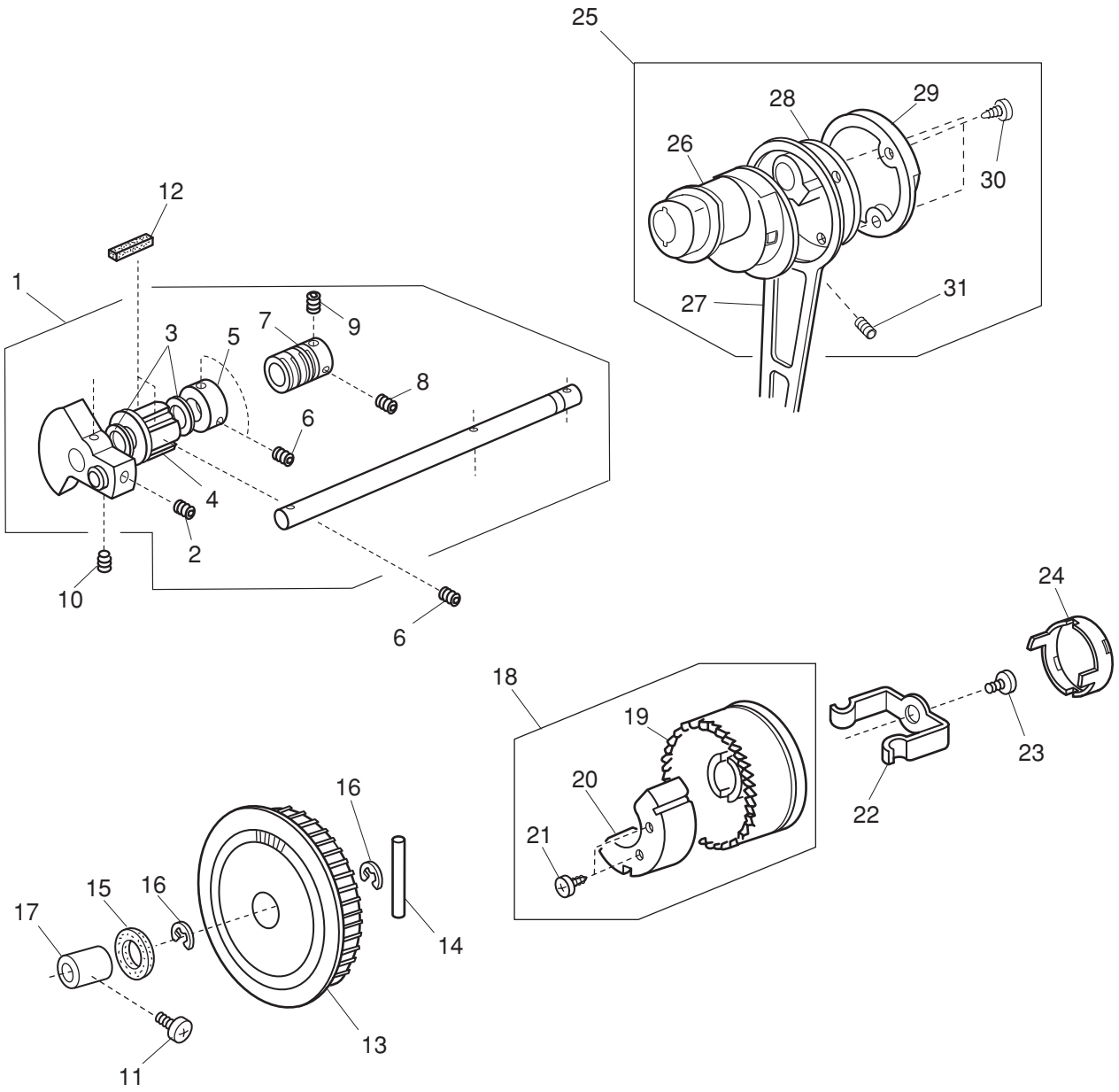
PARTS LIST



PARTS LIST

KEY NO.	PARTS NO.	DESCRIPTION
1	743669007	Needle bar supporter (unit)
2	743213002	Needle bar supporter
3	730503116	Needle bar (unit)
4	102408089	Needle HA 1-14
5	311502000	Needle bar connecting stud (unit)
6	743216005	Needle bar supporter spring
7	310013109	Needle bar supporter pin
8	000001609	Snap ring E-5
9	000013800	Snap ring CS-6
10	625506109	Thread take-up lever (unit)
11	647040108	Thread take-up pin
12	000111304	Hexagonal socket screw 5x5
13	735504008	Needle bar crank (unit)
14	735119002	Zigzag rod
15	310041003	Eccentric plate
16	000078319	Setscrew 3x6
17	310622004	Lamp socket (unit)
18	655681009	Lamp socket
19	310065003	Face plate set plate
20	000120203	Setscrew 3x8(B)
21	000081005	Setscrew 4x8
22	000009009	Lamp 240V 15W
23	000053008	Cord bind

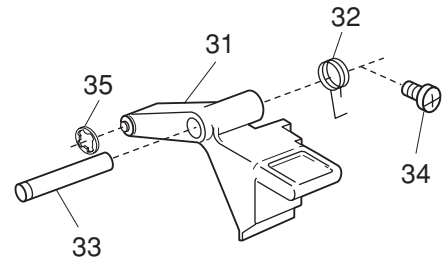
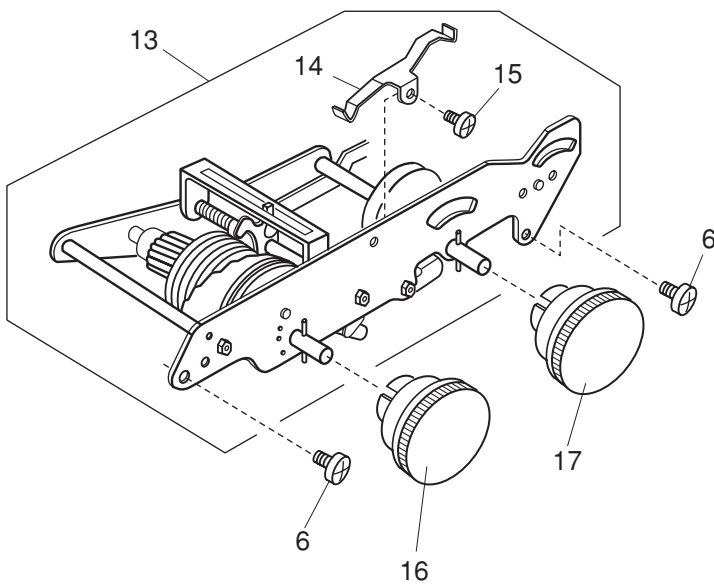
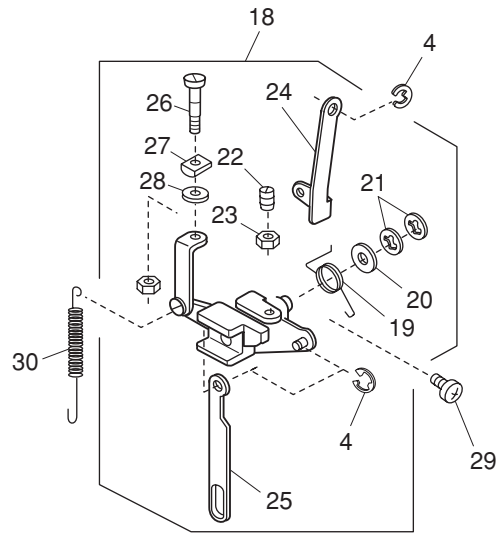
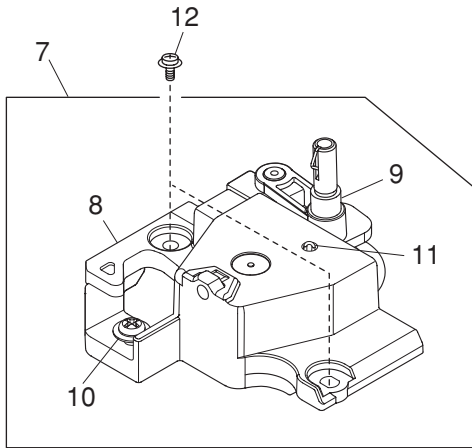
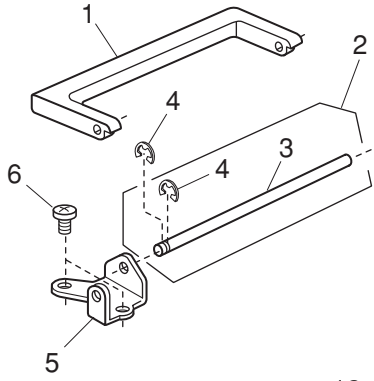
PARTS LIST



PARTS LIST

KEY NO.	PARTS NO.	DESCRIPTION
1	304607406	Upper shaft (unit)
2	102073003	Setscrew
3	000036717	Thrust washer
4	732025001	Upper shaft front bushing
5	639095000	Ring
6	000111304	Hexagonal socket screw 5x5
7	751146101	Worm
8	000111201	Hexagonal socket screw 4x4
9	000112501	Hexagonal socket screw 4x4
10	761052007	Setscrew
11	000172602	Setscrew 5x8
12	731312005	Felt
13	743019006	Belt wheel
14	000023803	Spring pin
15	743029009	Felt
16	000030205	Snap ring E-8
17	732003003	Upper shaft rear bushing
18	743630009	Handwheel (unit)
19	639097024	Handwheel
20	743030003	Balance weight
21	000121400	Tapping screw 3x14 (B)
22	639113016	Clutch spring
23	000081005	Setscrew 4x8
24	650070509	Clutch cap
25	304609006	Crank rod (unit)
26	304042005	Feed cam
27	743011008	Crank rod
28	304044007	Crank cam
29	304043006	Crank cam plate
30	000161309	Tapping screw 3x12 (B)
31	000110107	Hexagonal socket screw 5x5

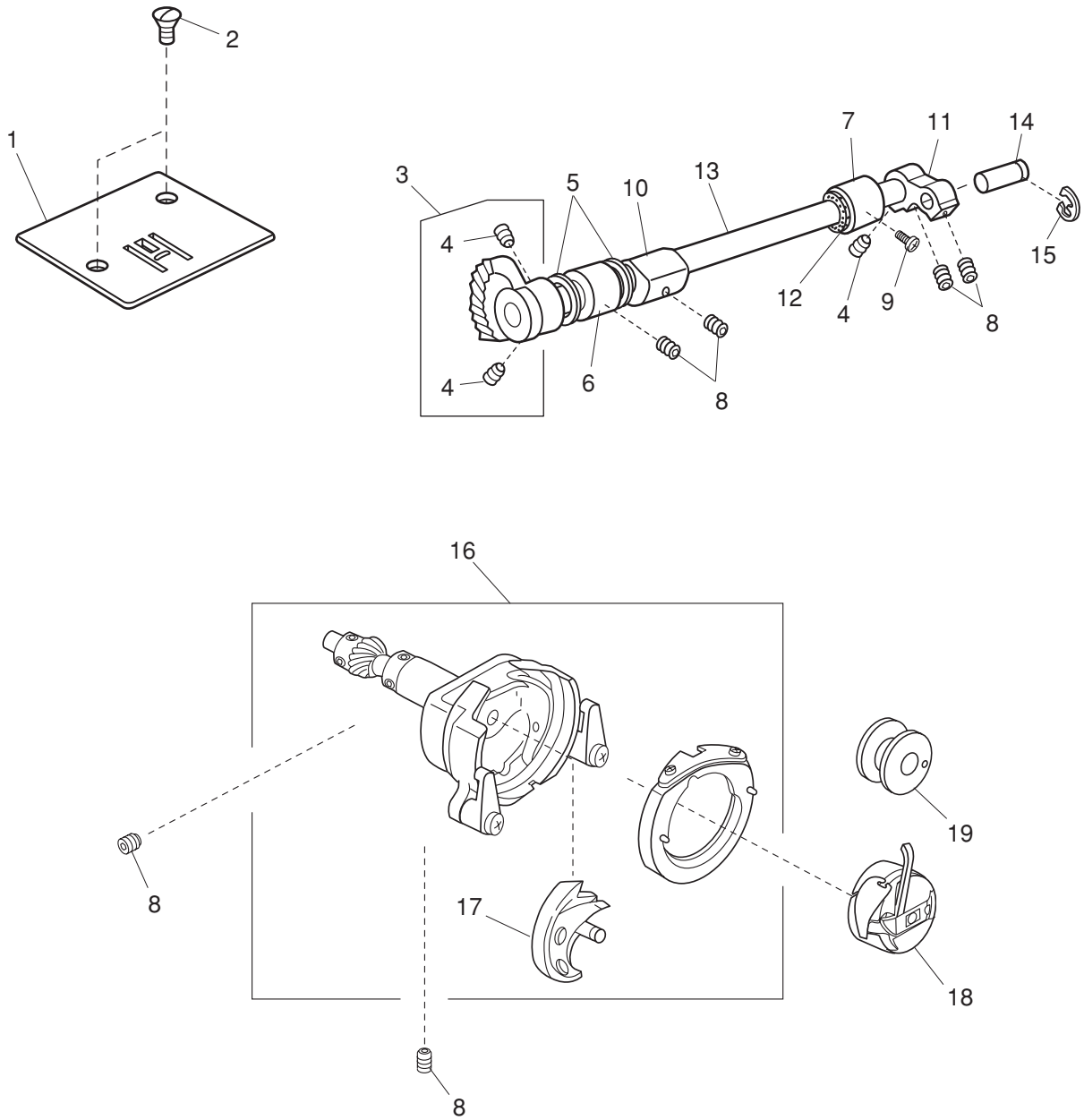
PARTS LIST



PARTS LIST

KEY NO.	PARTS NO.	DESCRIPTION
1	753017308	Handle
2	740624001	Carrying handle set pin (unit)
3	740011009	Handle shaft
4	000002105	Snap ting E-3
5	740010008	Handle supporter
6	000081005	Setscrew 4x8
7	311606005	Bobbin winder supporter (unit)
8	311011007	Bobbin winder base plate
9	311503007	Bobbin winder arm (unit)
10	000109103	Setscrew 4x12
11	740042009	Bobbin winder arm spring
12	000115607	TP screw 4x8
13	743661009	Zigzag mechanism (unit)
14	737011009	Index spring
15	000103808	Setscrew 3x5
16	743189A03	Pattern selector dial
17	743189A04	Feed dial
18	736604301	Feed regulator (unit)
19	735077007	Feed regulating body spring
20	735073003	Plain washer
21	000013800	Snap ring CS-6
22	648010009	Setscrew
23	000160102	Adjustable lock nut 4
24	739020007	Feed regulating rod
25	730045001	Reverse link
26	735074004	SS adjusting screw
27	735076006	SS rod block
28	000071013	Washer 4
29	000172602	Setscrew 5x8
30	670100006	Feed regulatingspring
31	742007008	R button
32	739063002	R button spring
33	736015000	R button shaft
34	000101301	Setscrew 5x10
35	000014007	Snap ring CS-4

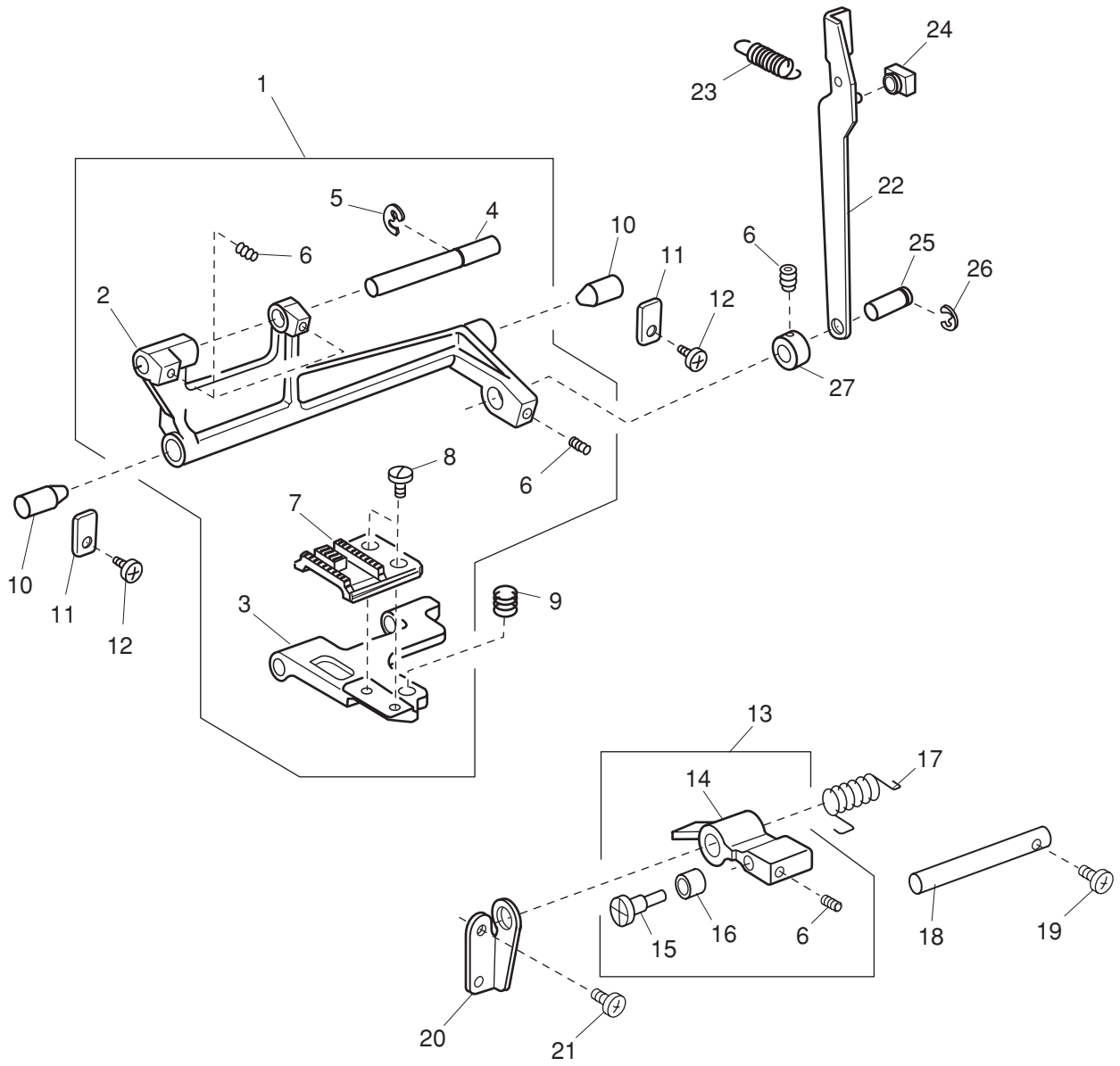
PARTS LIST



PARTS LIST

KEY NO.	PARTS NO.	DESCRIPTION
1	744004001	Needle plate
2	681009101	Setscrew
3	735950003	Lower shaft gear (unit)
4	000110107	Hexagonal socket screw 5x5 (WP)
5	000036201	Washer 8-0.5
6	735233003	Bushing
7	735234004	Bushing
8	000111304	Hexagonal socket screw 5x5
9	000172602	Setscrew 5x8
10	735061008	Feed lifting cam
11	639036003	Lower shaft crank arm
12	822070003	Felt
13	735236006	Lower shaft
14	639037004	Pin
15	000001609	Snap ring E-5
16	735610101	Shuttle race body (unit)
17	532096007	Shuttle hook
18	647515006	Bobbin case (unit)
19	102261000	Bobbin

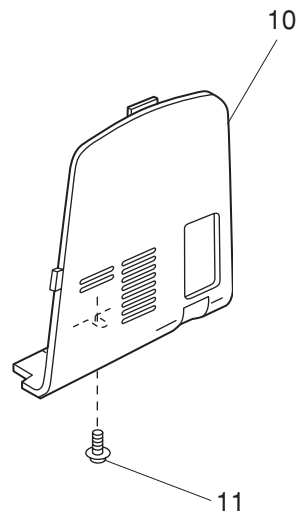
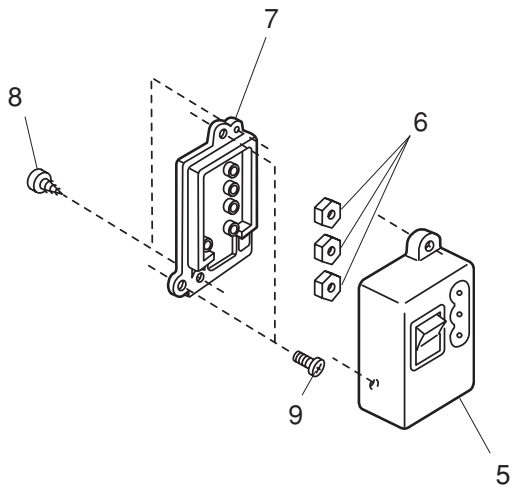
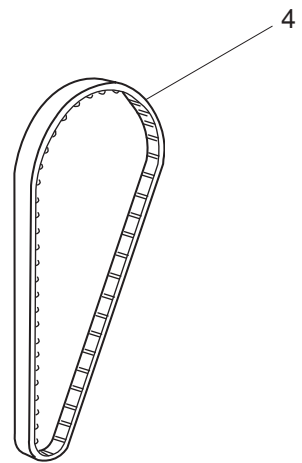
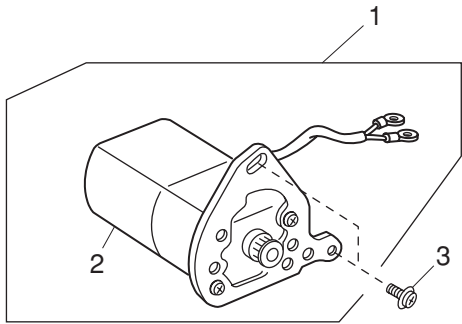
PARTS LIST



PARTS LIST

KEY NO.	PARTS NO.	DESCRIPTION
1	735612000	Feed rock shaft (unit)
2	735078008	Feed rock shaft
3	735079009	Feed bar
4	735080003	Feed bar shaft
5	000002507	Snap ring E-4
6	000111201	Hexagonal socket screw 4x4
7	735081004	Feed dog
8	735082005	Setscrew
9	735083006	Feed bar spring
10	735084007	Feed rock shaft center
11	735085008	Feed rock shaft center plate
12	000101404	Setscrew 4x6
13	301608006	Feed lifting arm (unit)
14	301027005	Feed lifting arm
15	735087000	Feed lifting pin
16	735088001	Feed lifting roller
17	735089002	Feed lifting spring
18	735090006	Feed lifting shaft
19	000101703	Setscrew 4x12
20	739022009	Feed lifting shaft holder
21	000081119	Setscrew 4x6
22	743012009	Feed rod
23	743013000	Feed rod spring
24	102141003	Feed regulator slied block
25	735071104	Feed rock shaft connecting pin
26	000002806	Snap ring E-6
27	735276008	Ring

PARTS LIST

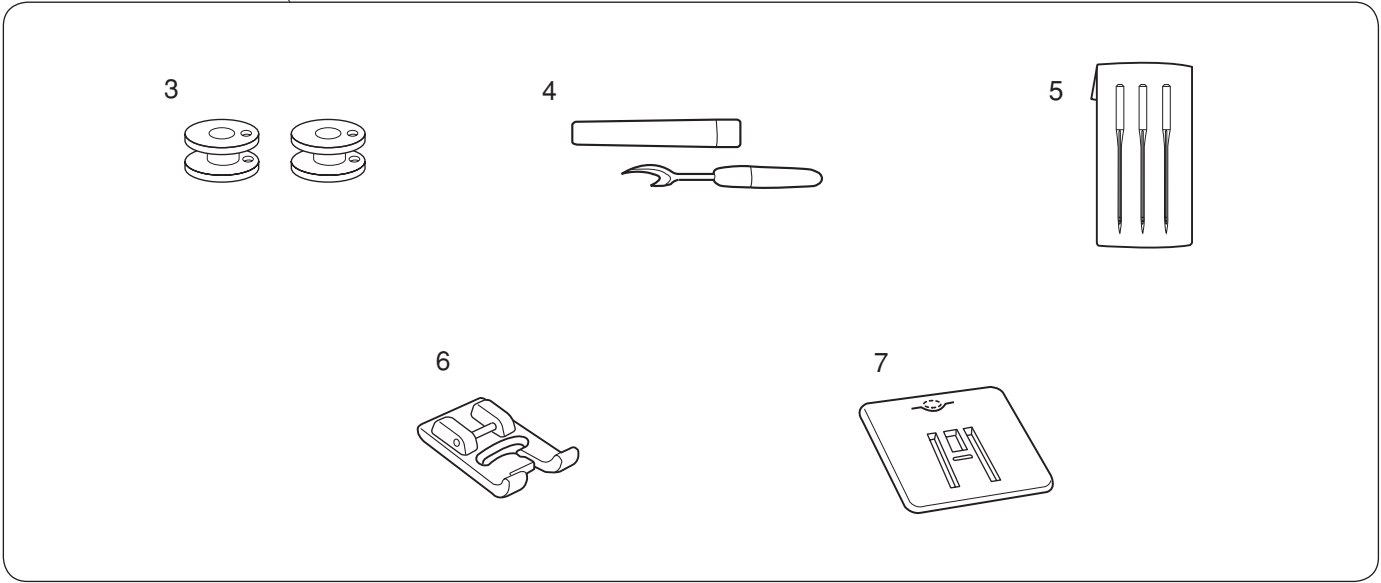


PARTS LIST

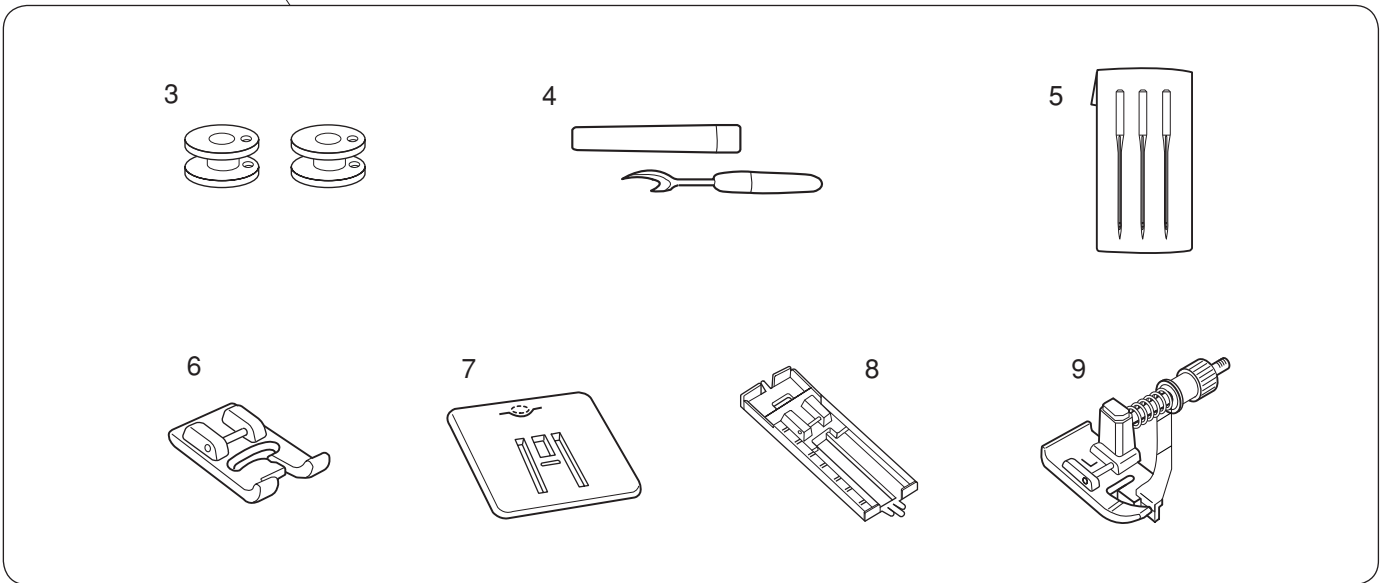
KEY NO.	PARTS NO.	DESCRIPTION
1	743611004	Motor (unit) (Netherlands)
	743611303	Motor (unit) (Spain)
	743612005	Motor (unit) (U.S.A.)
2	024070120	Motor (Netherlands)
	024070407	Motor (Spain)
	014170108	Motor (U.S.A.)
3	000115504	Setscrew TP5x10
4	650166008	Motor timing belt
5	739503308	Machine socket (unit)
6	000060802	Nut
7	739037007	Machine socket cover
8	000107802	Setscrew 3x10
9	000103509	Setscrew 4x10
10	743017004	Belt cover
11	000115205	Setscrew TP4x6

PARTS LIST

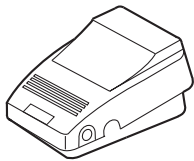
1



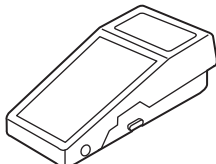
2



10 (Nederland) (Spain)



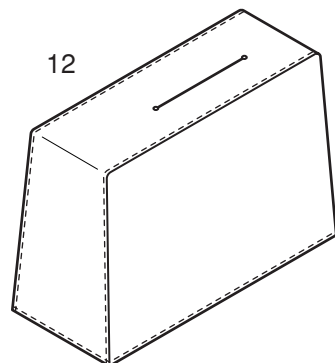
10 (U.S.A.)



11



12



PARTS LIST

KEY NO.	PARTS NO.	DESCRIPTION
1	743870298	Accessory set (Netherlands) (U.S.A.)
2	743870483	Accessory set (Spain)
3	102261000	Bobbin
4	647808009	Seam ripper/Buttonhole opener
5	639804000	Needle set
6	737801015	Satin stitch foot
7	735801008	Darning plate
8	611413002	Buttonhole foot (Spain)
9	743817002	Blind hem foot (Spain)
10	042870308	Foot control (Netherlands) (Spain)
	C-1028	Foot control (U.S.A.)
11	743801612	Instruction book (English/French/German)
	743801830	Instruction book (Portuguess/English/Spanish)
	743801380	Instruction book (English)
12	741811000	Cover