

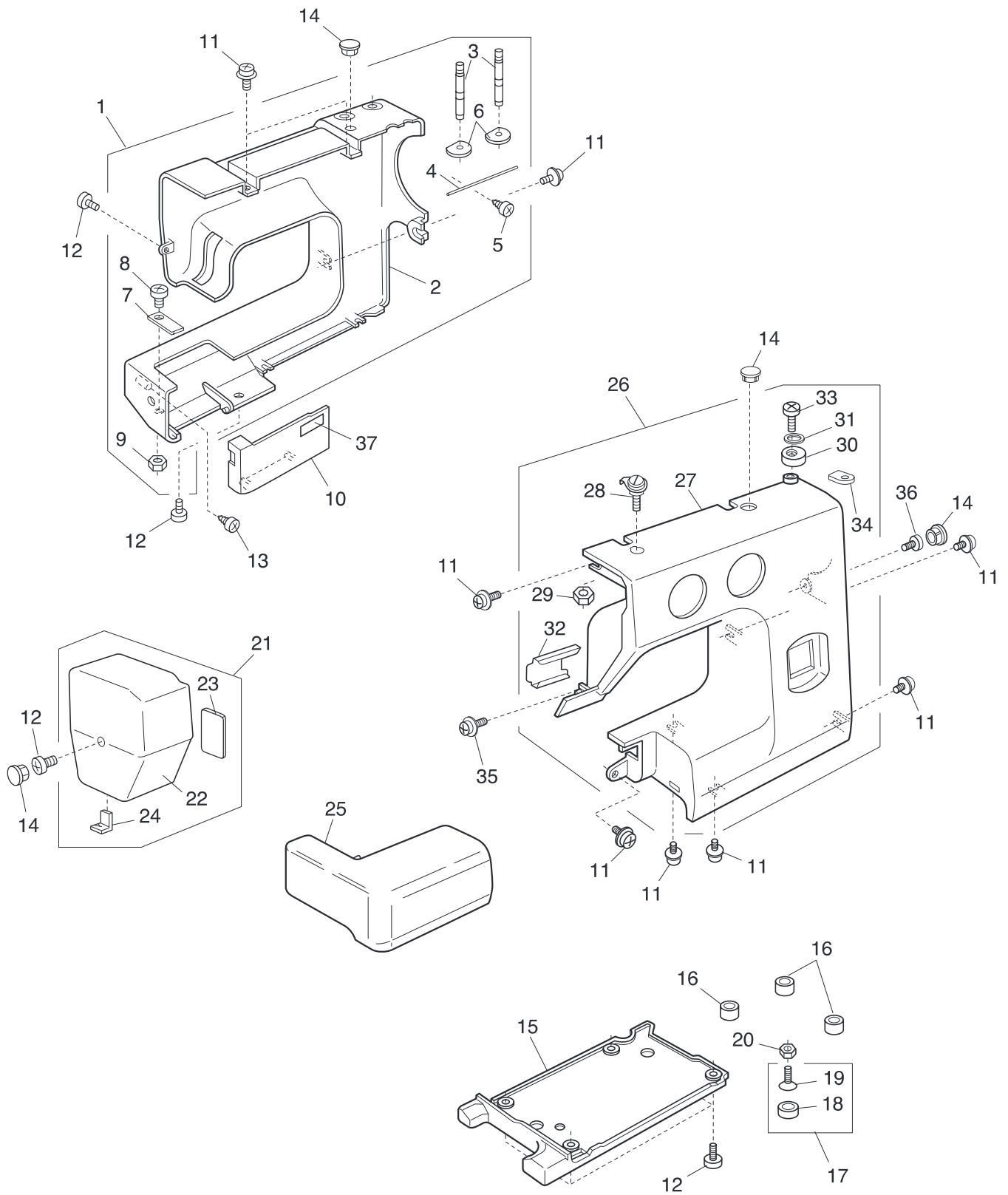
PARTS LIST

MODEL 1000

Sew Fun

Sew Green

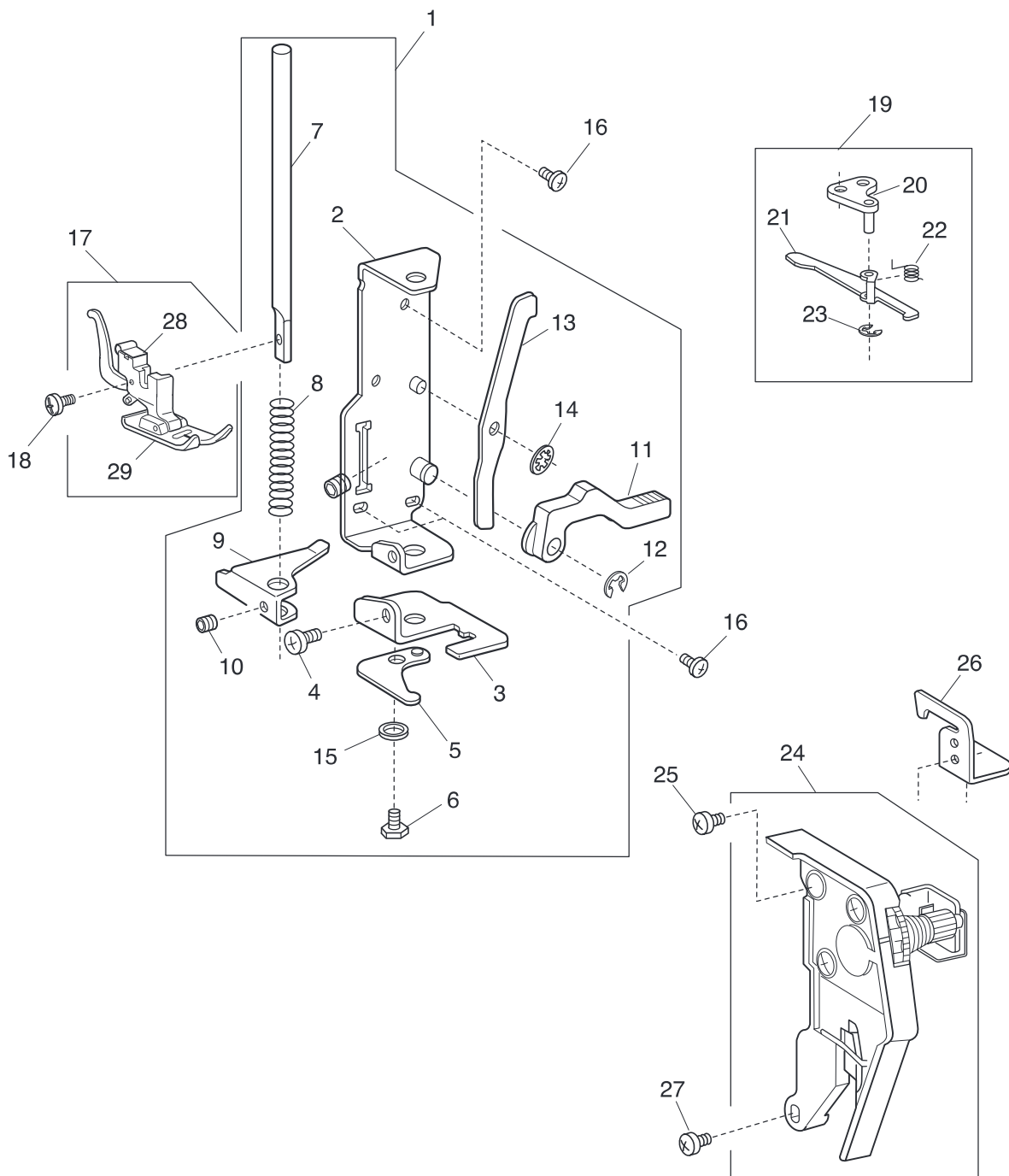
PARTS LIST



PARTS LIST

KEY NO.	PARTS NO.	DESCRIPTION
1	743617804	Rear cover (unit)
2	743003144	Resr cover
3	652205109	Spool pins
4	736007009	Spool pin spring
5	000076317	Setscrew 3x10
6	735013005	Spool pin spring base
7	730006000	Spring
8	000101404	Setscrew 4x6
9	000061205	Nut
10	739004005	Bed cover
11	000115205	Setscrew TP 4x6
12	000081005	Setscrew 4x8
13	000121905	Setscrew 4x12 B
14	653006101	Cap
15	739005006	Base plate
16	739064003	Bed rubber base
17	735616200	Rubber base (unit)
18	735002001	Rubber base
19	000097901	Setscrew 5x18
20	000061319	Nut
21	743636902	Face cover (unit) (Sew Fun)
	743636016	Face cover (unit) (Sew Green)
22	743198402	Face cover (Sew Fun)
	743198505	Face cover (Sew Green)
23	366076000	Reflex sticker
24	840602006	Thread cutter
25	743004008	Extension table
26	743621030	Front cover (unit) (Sew Fun)
	743621041	Front cover (unit) (Sew Green)
27	743056441	Front cover (Sew Fun)
	743056452	Front cover (Sew Green)
28	730501011	Thread guide plate (unit)
29	000160102	Adjustable lock nut 4
30	735016307	Bobbin winder stopper
31	000071013	Washer
32	735123009	Thread guard plate
33	000103107	Setscrew 4x14
34	744014004	Nut
35	000115607	Setscrew TP 4x8
36	000103509	Setscrew 4x10
37	830312016	Caution sticker

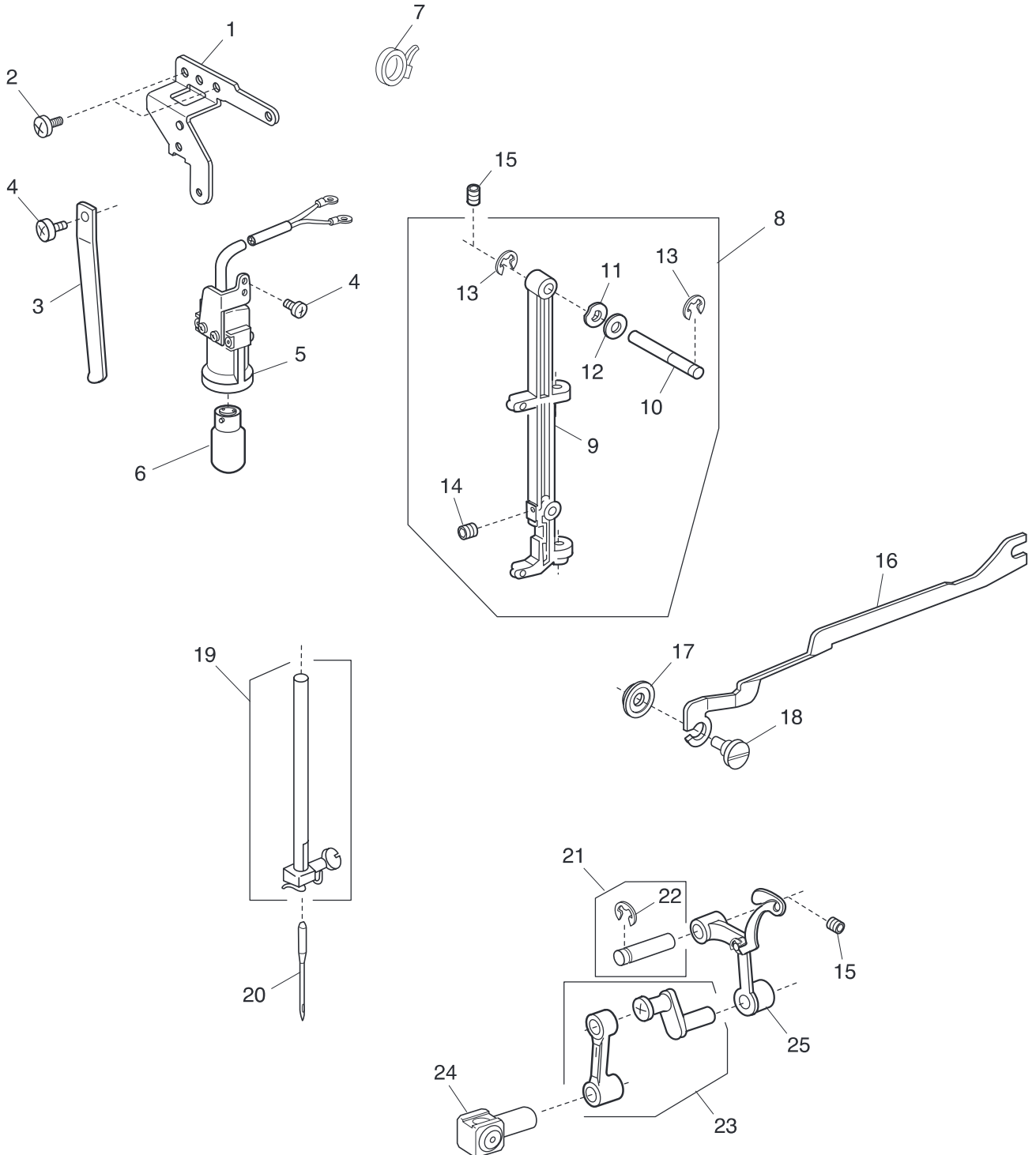
PARTS LIST



PARTS LIST

KEY NO.	PARTS NO.	DESCRIPTION
1	305604004	Presser bar base plate (unit)
2	735221008	Presser bar base plate
3	735222009	Needle drop adjusting plate
4	000101404	Setscrew 4x6
5	735025000	Needle bar supporter stopper
6	000138307	Bolt 4x8
7	735026001	Presser bar
8	735027002	Presser bar spring
9	735028003	Presser bar bracket
10	000111500	Hexagonal socket screw 4x8
11	735029004	Presser foot lifter
12	000001609	Snap ring E-5
13	735030008	Tension release lever
14	000013903	Snap ring CS-5
15	000070506	Washer
16	000081005	Setscrew 4x8
17	301612003	Presser foot (unit)
18	660106001	Thumb screw
19	739605002	Tension release arm (unit)
20	739017001	Tension release arm base
21	739018002	Tension release arm
22	739019003	Tension release spring
23	000002105	Snap ring E-3
24	743503002	Tension assembly (unit)
25	000103808	Setscrew 3x5
26	739016000	Top cover thread guide
27	000101703	Setscrew 4x12
28	611510000	Presser foot holder (unit)
29	301505002	Zigzag foot

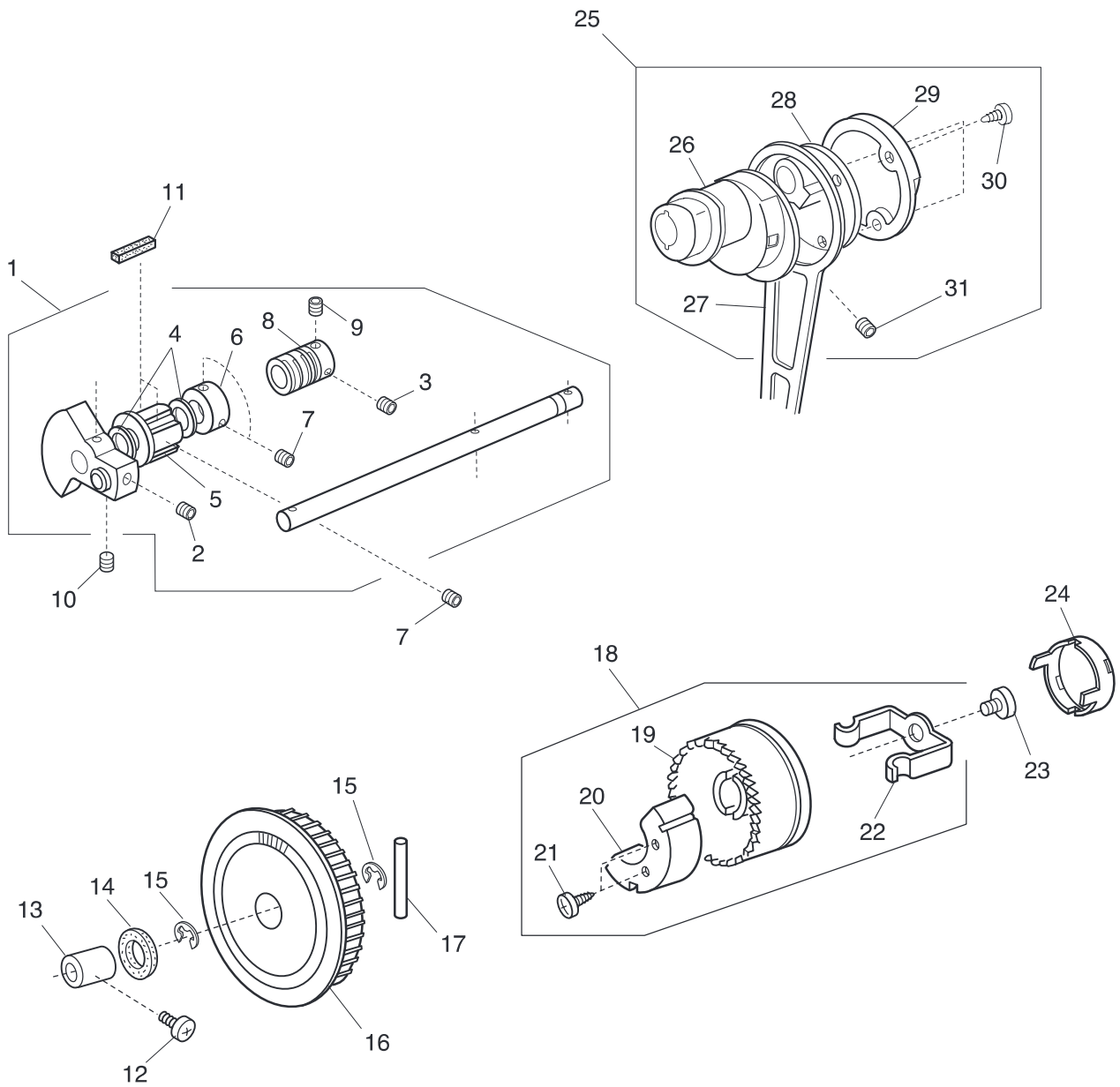
PARTS LIST



PARTS LIST

KEY NO.	PARTS NO.	DESCRIPTION
1	740007013	Face plate set plate
2	000081005	Setscrew 4x8
3	730024004	Needle bar supporter spring
4	000101404	Setscrew 4x6
5	743634003	Lamp socket (unit)
6	000009009	Lamp 240V, 15W
7	000053709	Cord tie band
8	301610001	Needle bar supporter (unit)
9	301032003	Needle bar supporter
10	730022002	Needle bar supporter pin
11	673022002	Wave washer
12	000070609	Plain washer
13	000002507	Snap ring E-4
14	000111902	Hexagonal socket screw 3x4
15	000111304	Hexagonal socket screw 5x5
16	735119002	Zigzag rod
17	748021006	Washer
18	678084007	Eccentric pin
19	730503116	Needle bar (unit)
20	102408089	Needle HAx3N-14
21	731511006	Thread take-up pin (unit)
22	000002806	Snap ring E-6
23	743664002	Needle bar crank (unit)
24	639516002	Needle bar connecting stud (unit)
25	625506109	Thread take-up lever (unit)

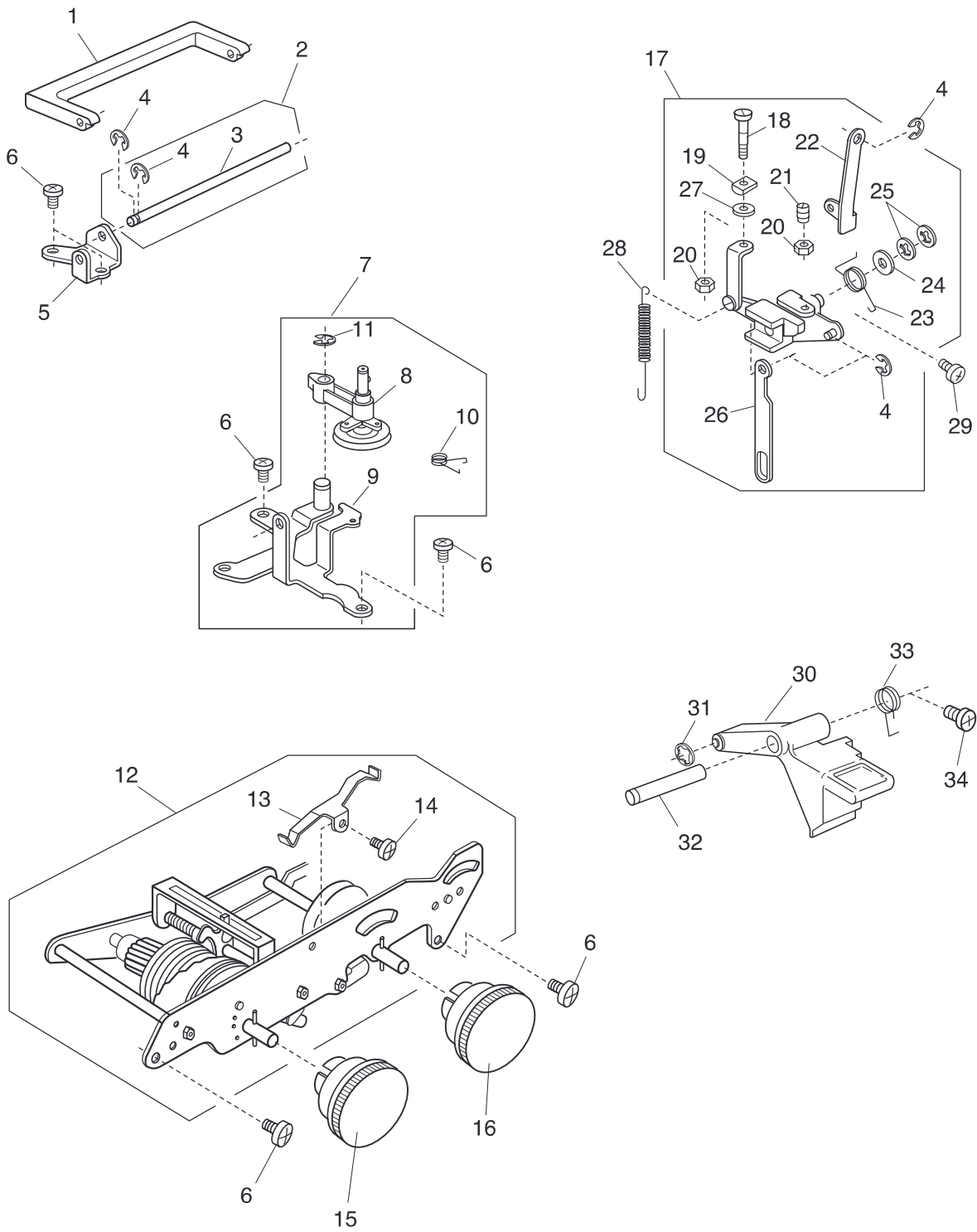
PARTS LIST



PARTS LIST

KEY NO.	PARTS NO.	DESCRIPTION
1	304607200	Upper shaft (unit)
2	102073003	Setscrew
3	000112501	Hexagonal socket screw 4x4
4	000036717	Thrust washer
5	732025001	Upper shaft front bushing
6	639095000	Ring
7	000111304	Hexagonal socket screw 5x5
8	751146101	Worm
9	000111201	Hexagonal socket screw 4x4
10	761052007	Setscrew
11	731312005	Felt
12	000172602	Setscrew 5x8
13	732003003	Upper shaft rear bushing
14	743029009	Felt
15	000030205	Snap ring E-8
16	743019006	Belt wheel
17	000023803	Spring pin
18	743630009	Handwheel (unit)
19	639097024	Handwheel
20	743030003	Balance weight
21	000121400	Setscrew 3x14 B
22	639113016	Clutch spring
23	000081005	Setscrew 4x8
24	650070509	Clutch cap
25	304609006	Crank rod (unit)
26	304042005	Feed cam
27	743011008	Crank rod
28	304044007	Crank cam
29	304043006	Crank cam plate
30	000161309	Setscrew 3x12 B
31	000110107	Hexagonal socket screw 5x5

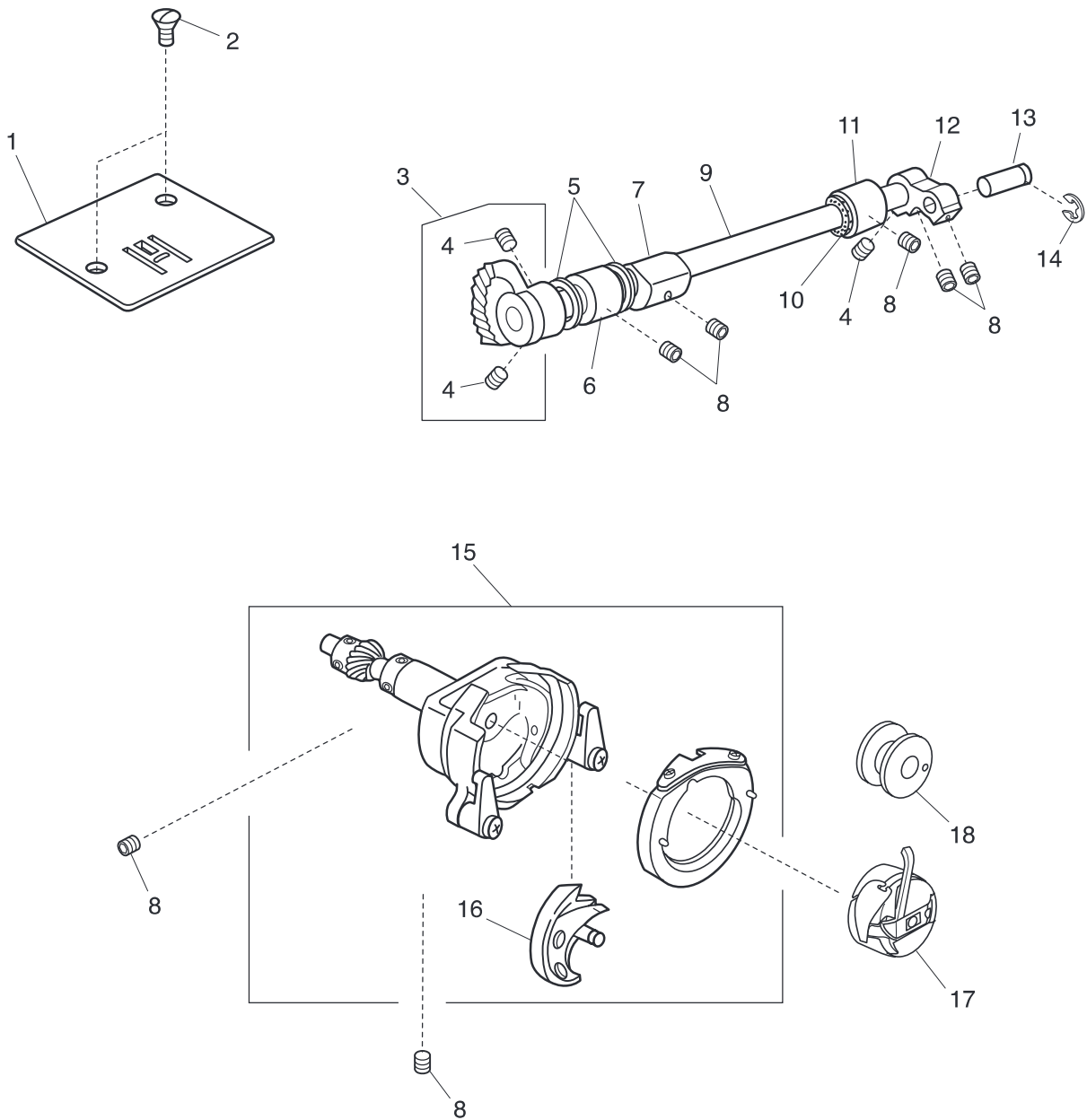
PARTS LIST



PARTS LIST

KEY NO.	PARTS NO.	DESCRIPTION
1	735017308	Handle
2	740624001	Carrying handle set pin (unit)
3	740011009	Handle shaft
4	000002105	Snap ting E-3
5	740010008	Handle supporter
6	000081005	Setscrew 4x8
7	740602209	Bobbin winder supporter (unit)
8	735501005	Bobbin winder arm (unit)
9	740003101	Bobbin winder base plate
10	740042009	Bobbin winder arm spring
11	000002806	Snap ring E-6
12	743661009	Zigzag mechanism (unit)
13	737011009	Index spring
14	000103808	Setscrew 3x5
15	743189293	Pattern selector dial (Sew Fun)
	743189318	Pattern selectot dial (Sew Green)
16	743189307	Stitch length dial (Sew Fun)
	743189329	Stitch length dial (Sew Green)
17	736604301	Feed regulator (unit)
18	735074004	SS adjusting screw
19	735076006	SS rod block
20	000160102	Adjustable lock nut 4
21	648010009	Setscrew
22	739020007	Feed regulating rod
23	735077007	Feed regulating body spring
24	735073003	Plain washer
25	000013800	Snap ring CS-6
26	730045001	Reverse link
27	000071013	Washer 4
28	670100006	Feed regulator spring
29	000172602	Setscrew 5x8
30	742007008	R button
31	000014007	Snap ring CS-4
32	736015000	R button shaft
33	739063002	R button spring
34	000101301	Setscrew 5x10

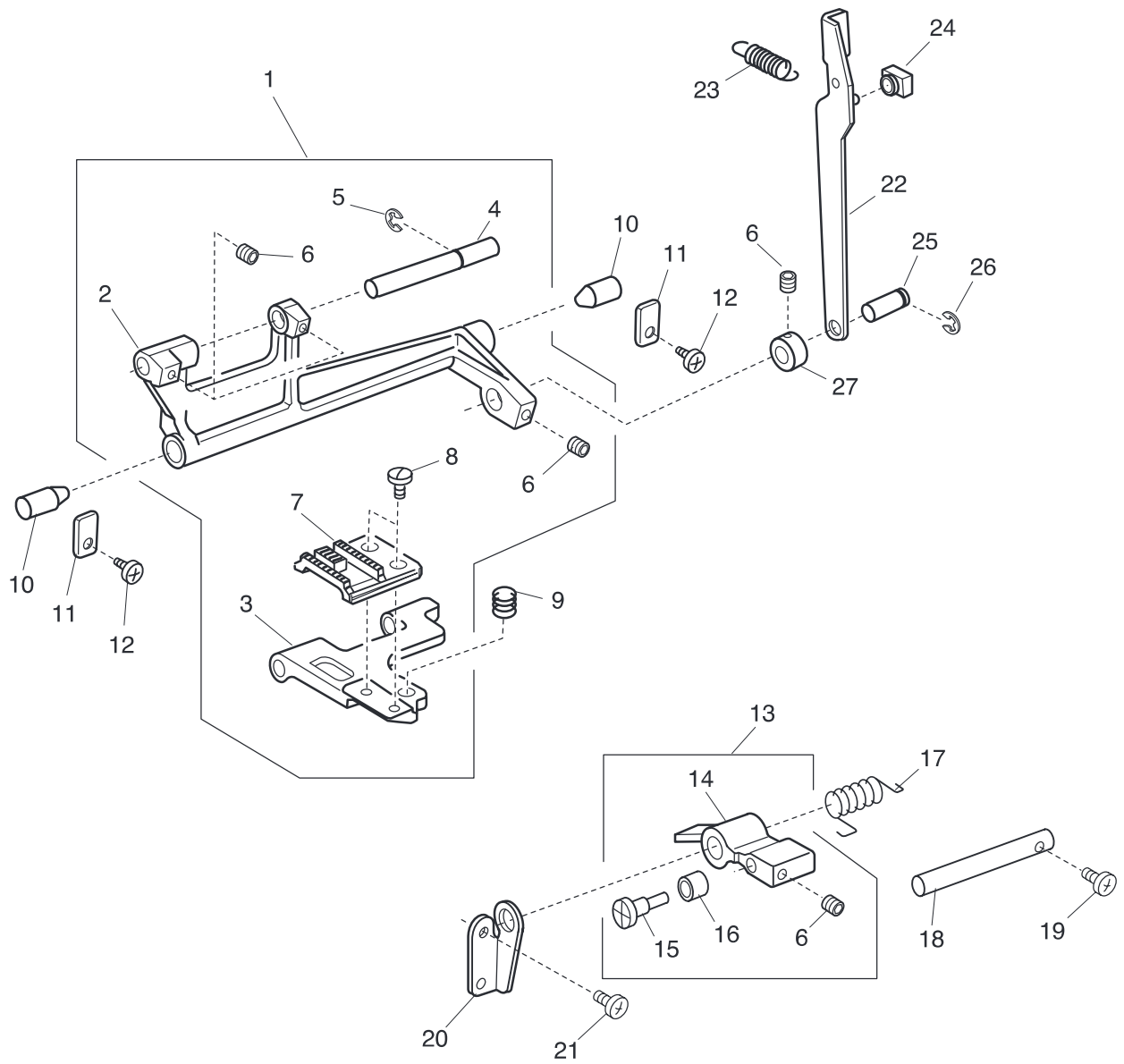
PARTS LIST



PARTS LIST

KEY NO.	PARTS NO.	DESCRIPTION
1	744004001	Needle plate
2	681009101	Setscrew
3	735950003	Lower shaft gear (unit)
4	000110107	Hexagonal socket screw 5x5WP
5	000036201	Washer 8-0.5
6	735233003	Bushing
7	735061008	Feed lifting cam
8	000111304	Hexagonal socket screw 5x5
9	735236006	Lower shaft
10	822070003	Felt
11	735234004	Bushing
12	639036003	Lower shaft crank arm
13	639037004	Pin
14	000001609	Snap ring E-5
15	735610101	Shuttle race body (unit)
16	532096007	Shuttle hook
17	647515006	Bobbin case (unit)
18	102261000	Bobbin

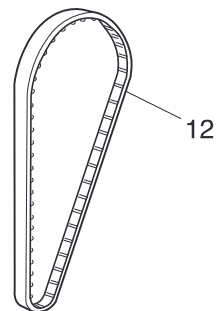
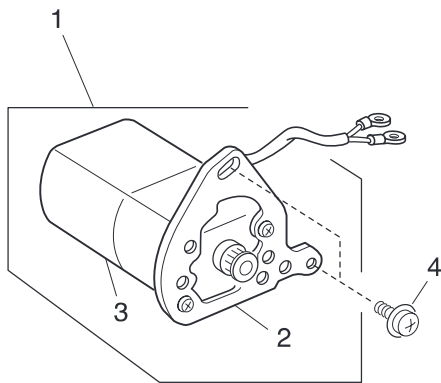
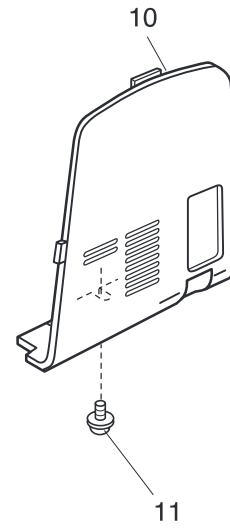
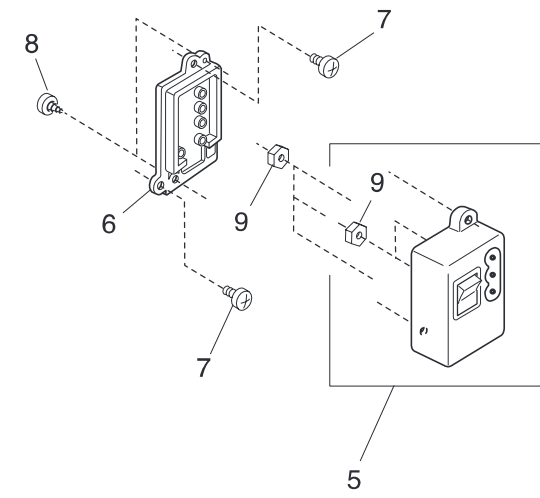
PARTS LIST



PARTS LIST

KEY NO.	PARTS NO.	DESCRIPTION
1	735612000	Feed rock shaft (unit)
2	735078008	Feed rock shaft
3	735079009	Feed bar
4	735080003	Feed bar shaft
5	000002507	Snap ring E-4
6	000111201	Hexagonal socket screw 4x4
7	735081004	Feed dog
8	735082005	Setscrew
9	735083006	Feed bar spring
10	735084007	Feed rock shaft center
11	735085008	Feed rock shaft center plate
12	000101404	Setscrew 4x6
13	301608006	Feed lifting arm (unit)
14	301027005	Feed lifting arm
15	735087000	Feed lifting pin
16	735088001	Feed lifting roller
17	735089002	Feed lifting spring
18	735090006	Feed lifting shaft
19	000097200	Setscrew 4x12
20	739022009	Feed lifting shaft holder
21	000081119	Setscrew 4x6
22	743012009	Feed rod
23	743013000	Feed rod spring
24	102141003	Feed regulator slide block
25	735071104	Feed rock shaft connecting pin
26	000002806	Snap ring E-6
27	735276008	Ring

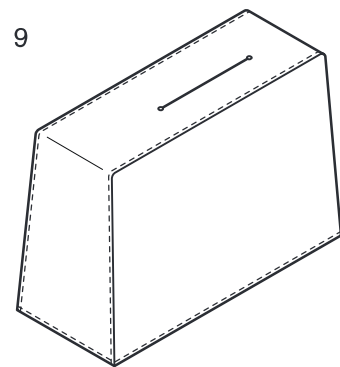
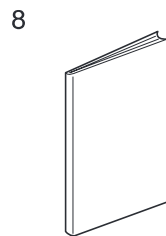
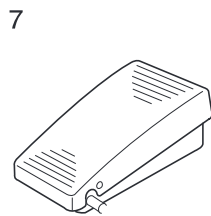
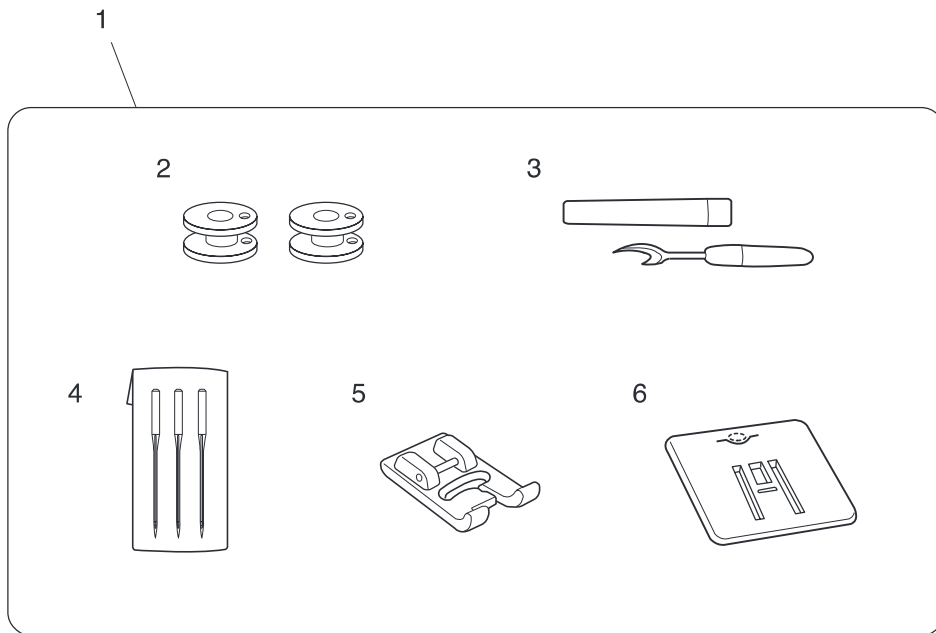
PARTS LIST



PARTS LIST

KEY NO.	PARTS NO.	DESCRIPTION
1	743611004	Motor assy
2	743025005	Motor bracket
3	024070108	Motor
4	000201209	Setscrew TP 5x12
5	739503308	Machine socket unit
6	739037007	Machine socket cover
7	000103509	Setscrew 4x10
8	000107802	Setscrew 3x10B
9	000060802	Nut
10	743017004	Belt cover
11	000115205	Setscrew TP 4x6
12	650166019	Motor timing belt

PARTS LIST



PARTS LIST

KEY NO.	PARTS NO.	DESCRIPTION
1	743870298	Accessory set
2	102261000	Bobbin
3	647808009	Seam ripper/Buttonhole opener
4	639804000	Needle set
5	737801015	Buttonhole foot
6	735801008	Darning plate
7	042970402	Foot control
8	743801612	Instruction book
9	741811000	Cover
