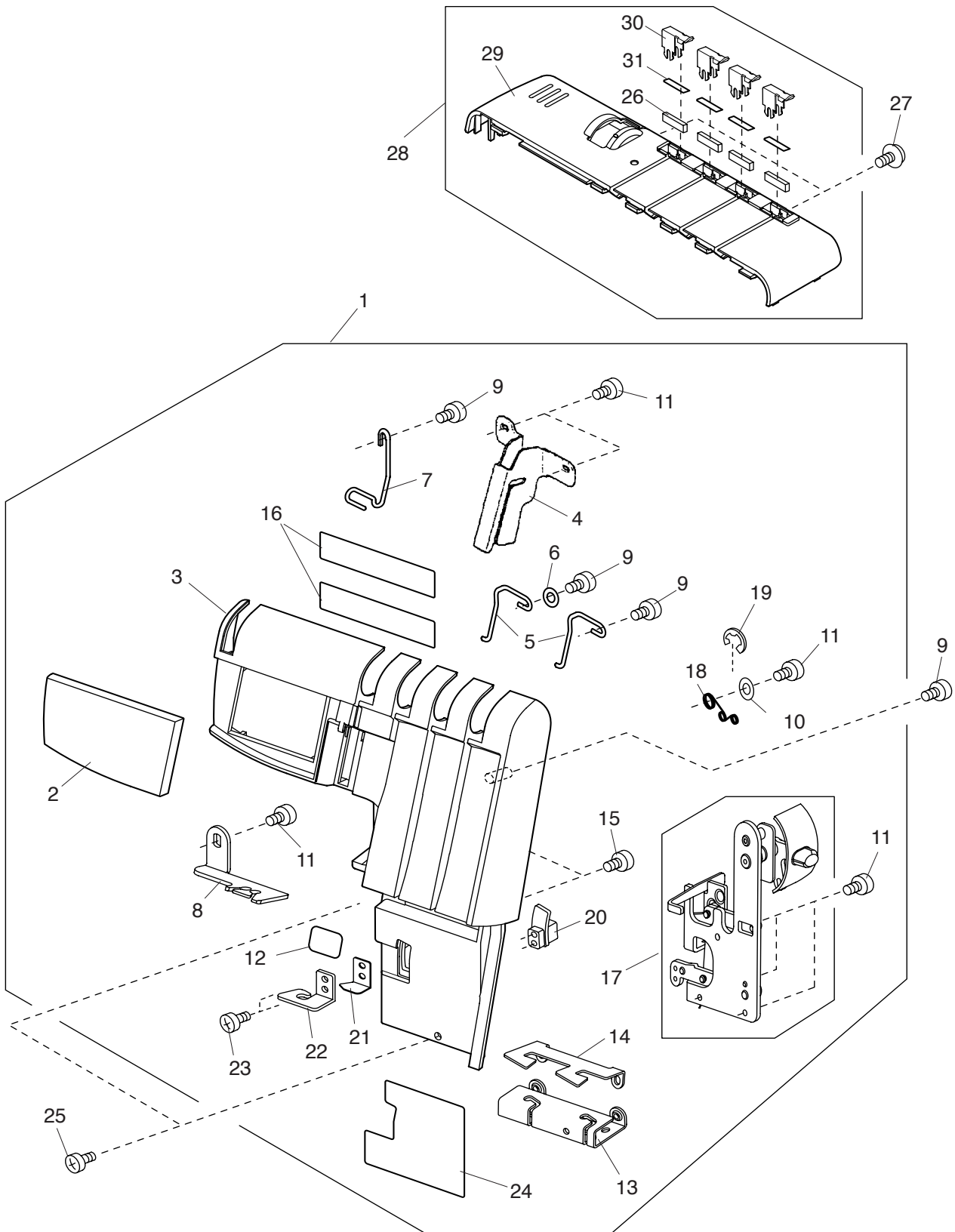


PARTS LIST

MODEL: 664 PRO

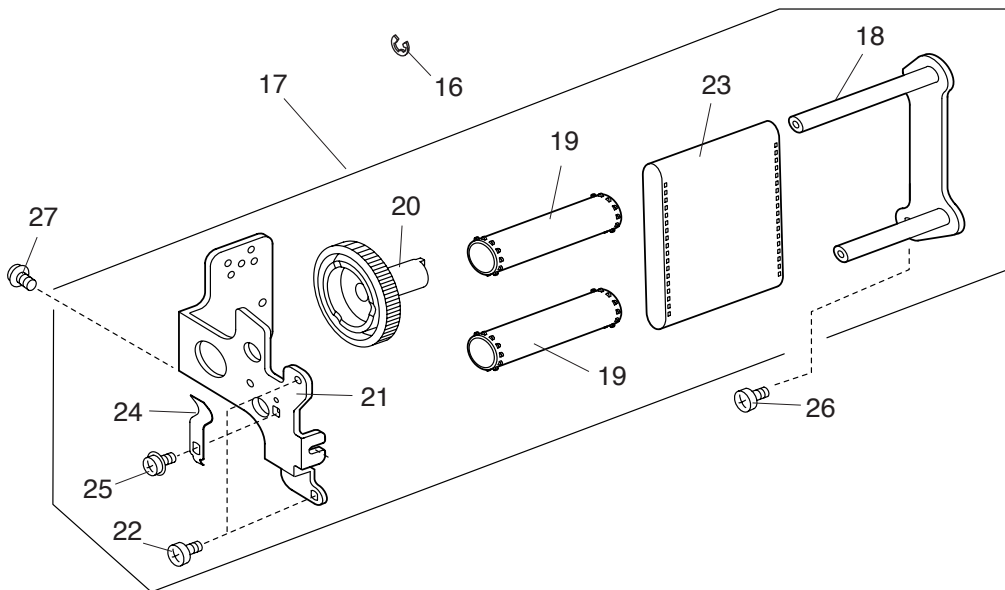
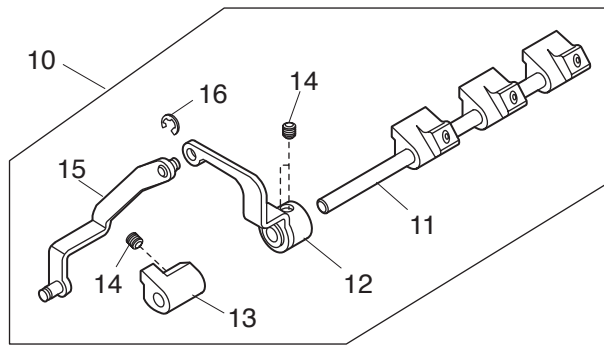
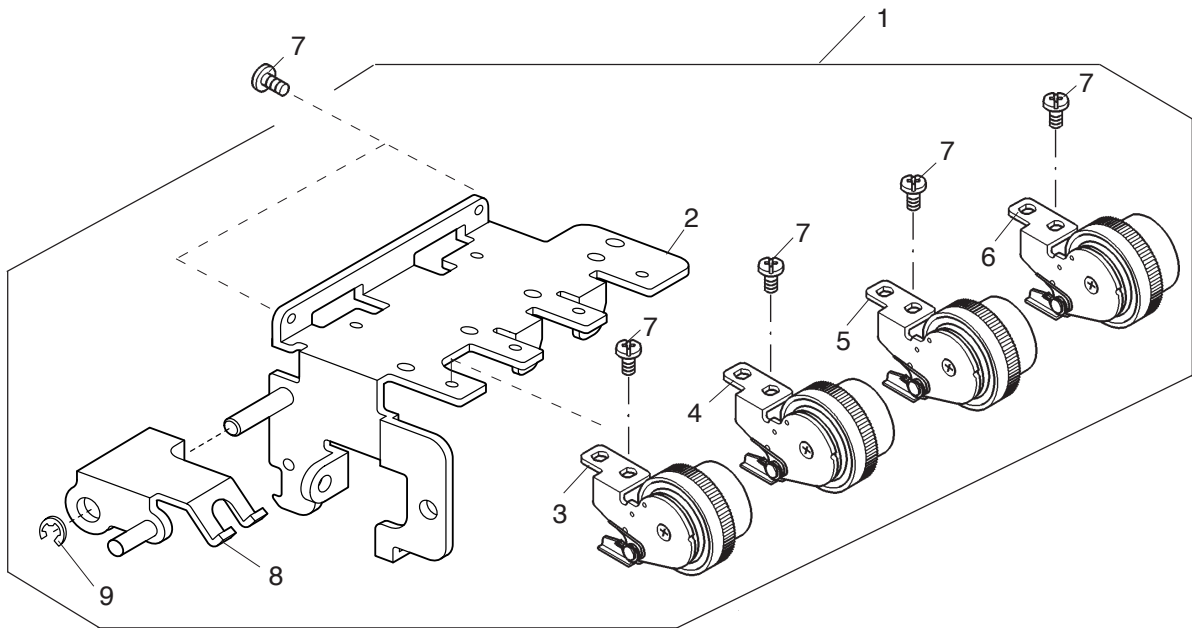
PARTS LIST



PARTS LIST

| No. | Part No. | Part Name | Remark |
|-----|-----------|---------------------------------------|--------|
| 1 | 798604004 | Front cover unit | |
| 2 | 798024107 | Panel | |
| 3 | 798023003 | Front cover | |
| 4 | 788059007 | Take-up lever cover | |
| 5 | 788060001 | Needle thread guide (R) | |
| 6 | 000070506 | Washer | |
| 7 | 788115002 | Needle thread guide (L) | |
| 8 | 798044000 | Needle thread guide | |
| 9 | 000149301 | Setscrew 3x8 (B) | |
| 10 | 000072508 | Washer | |
| 11 | 000120203 | Setscrew 3x8 (B) | |
| 12 | 888261007 | Sticker | |
| 13 | 788615007 | Looper thread guide unit | |
| 14 | 788132005 | Looper thread guide (2) | |
| 15 | 000078319 | Setscrew 3x6 | |
| 16 | 798051000 | Sticker | |
| 17 | 798605005 | Sub thread tension holding plate unit | |
| 18 | 788081008 | Connecting arm spring | |
| 19 | 000002105 | Snap ring E-3 | |
| 20 | 788067008 | Thread guide set plate | |
| 21 | 788094004 | Slide thread guide spring | |
| 22 | 788066007 | Slide thread guide | |
| 23 | 000104913 | Setscrew 3x16 | |
| 24 | 798030003 | Sticker | |
| 25 | 000081016 | Setscrew 4x8 | |
| 26 | 797049002 | Sponge | |
| 27 | 000115216 | TP screw 4x6 | |
| 28 | 798608008 | Top cover unit | |
| 29 | 798041007 | Top cover | |
| 30 | 797047000 | Upper thread guide | |
| 31 | 797048001 | Upper thread guide plate | |

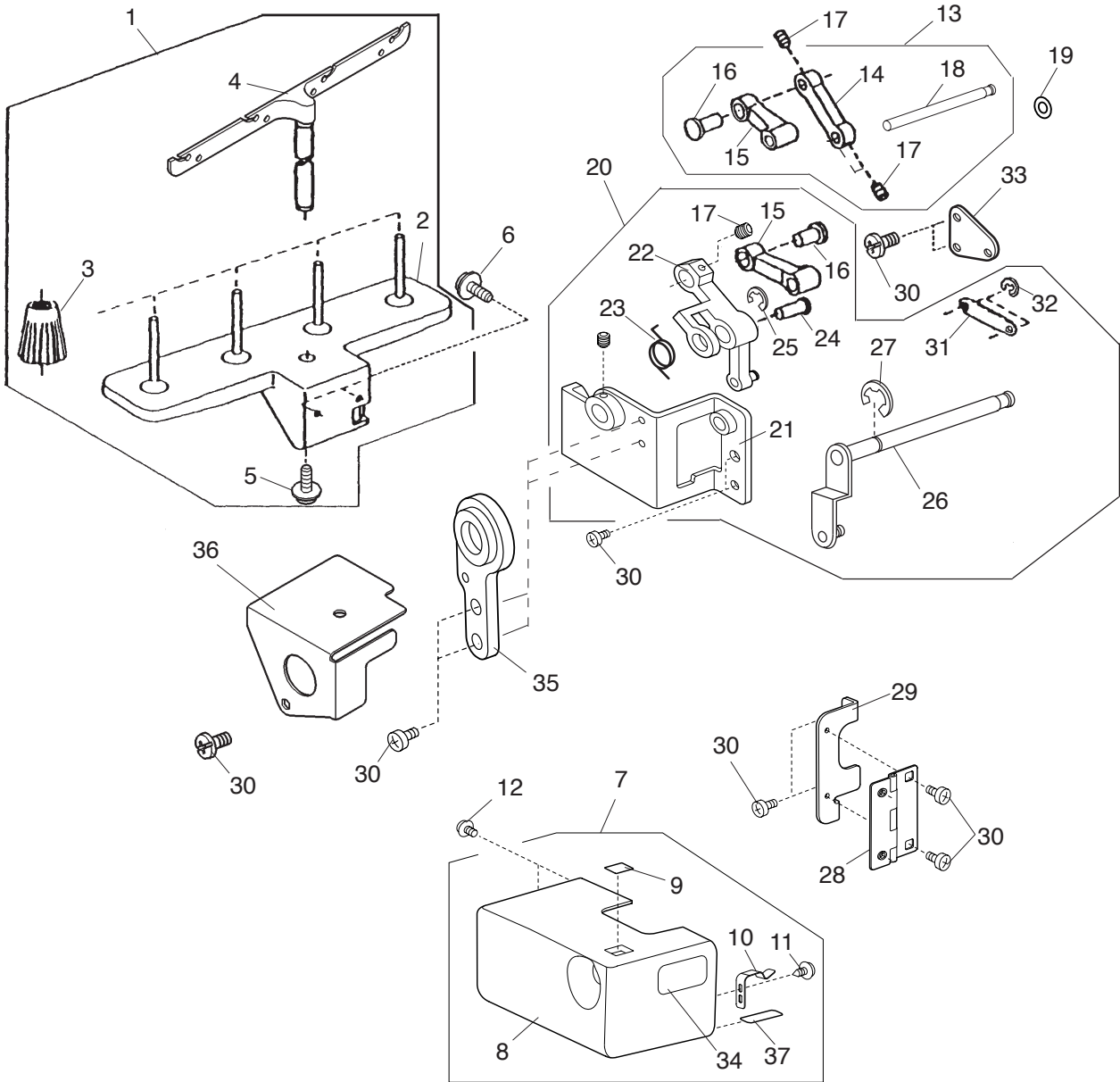
PARTS LIST



PARTS LIST

| No. | Part No. | Part Name | Remark |
|-----|-----------|-----------------------------------|--------|
| 1 | 798617000 | Thread tension set plate unit | |
| 2 | 788049107 | Tread tension set plate | |
| 3 | 788503090 | Left Needle thread tension unit | |
| 4 | 788504080 | Right Needle thread tension unit | |
| 5 | 788505081 | Upper looper thread tension unit | |
| 6 | 788506082 | Lower looper thread tension unit | |
| 7 | 000101404 | Setscrew 4x6 | |
| 8 | 798009003 | Regulator lever | |
| 9 | 000001609 | Snap ring E-5 | |
| 10 | 793611009 | Thread tension release shaft unit | |
| 11 | 793127003 | Tread tension release shaft | |
| 12 | 788055003 | Thread tension release lever | |
| 13 | 788056004 | Cam ring | |
| 14 | 000111201 | H. socket screw 4x4 | |
| 15 | 788089006 | Thread tension release link | |
| 16 | 000002105 | Snap ring E-3 | |
| 17 | 798609009 | Dial set plate unit | |
| 18 | 798012009 | Dial base | |
| 19 | 798013000 | Drum | |
| 20 | 798014001 | Pattern selector dial | |
| 21 | 798015002 | Dial set plate | |
| 22 | 000103808 | Setscrew 3x5 | |
| 23 | 798016209 | Guide tape | |
| 24 | 798017004 | Spring | |
| 25 | 000114710 | TP screw 3x6 | |
| 26 | 000217909 | Setscrew 4x8 | |
| 27 | 000149301 | Setscrew 3x8 (B) | |

PARTS LIST



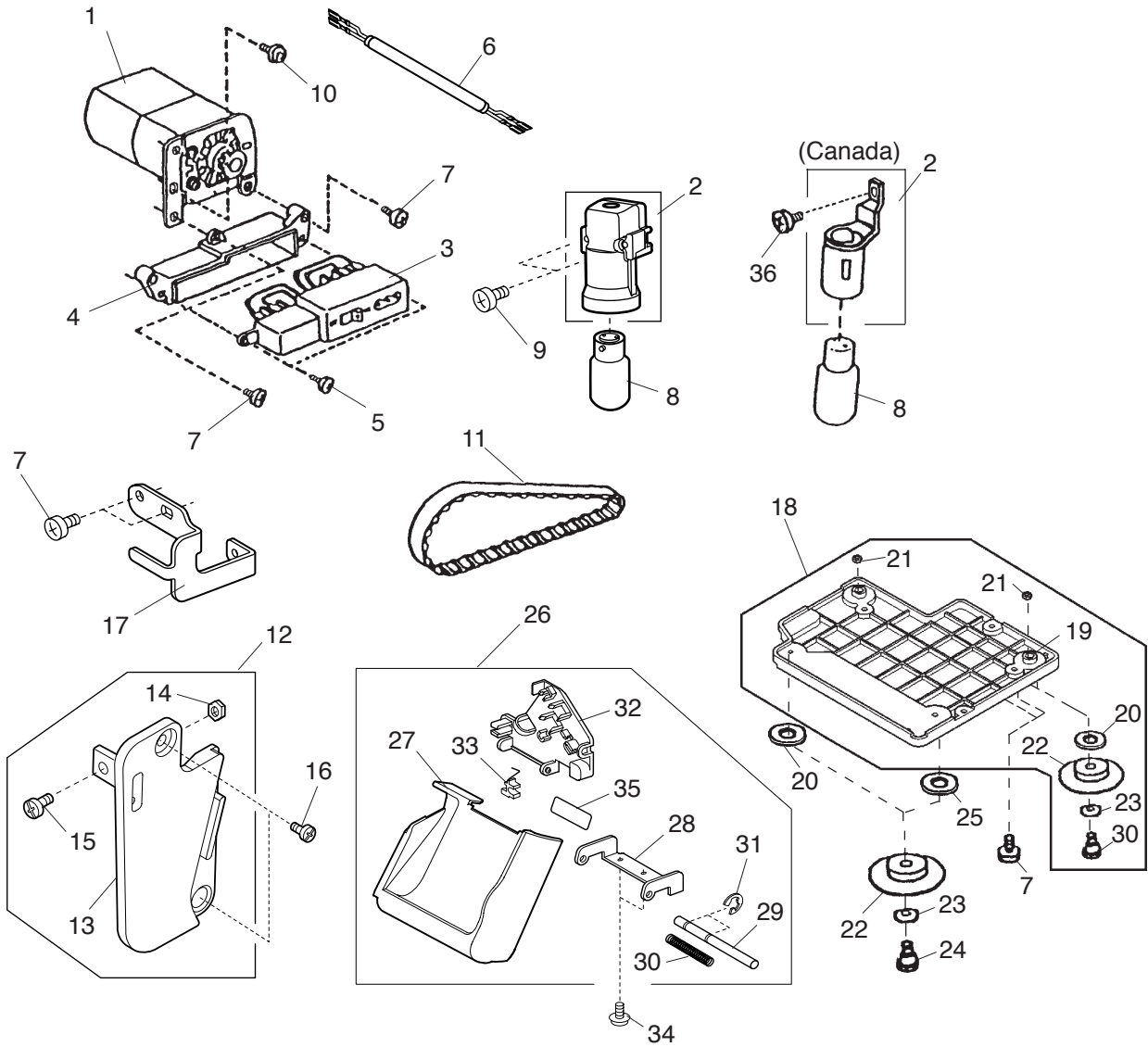
PARTS LIST

| No. | Part No. | Part Name | Remark |
|-----|-----------|---------------------------|--------|
| 1 | 789606008 | Spool stand unit | |
| 2 | 777011003 | Spool stand | |
| 3 | 784223105 | Spool holder | |
| 4 | 789607009 | Thread guide bar unit | |
| 5 | 000115700 | TP screw 4x10 | |
| 6 | 000114802 | TP screw 4x12 | |
| 7 | 798606006 | Side cover unit | |
| | 798606408 | Side cover unit (Canada) | |
| 8 | 798036009 | Side cover | |
| 9 | 798037103 | Side cover window | |
| 10 | 784140004 | Side cover spring | |
| 11 | 000149301 | Setscrew 3x8 | |
| 12 | 000115216 | TP screw 4x6 | |
| 13 | 787637002 | Main feed con. arm 2 unit | |
| 14 | 787197005 | Main feed con. arm 2 | |
| 15 | 787067005 | Feed link | |
| 16 | 787195003 | Feed connecting pin | |
| 17 | 000111201 | H. socket screw 4x4 | |
| 18 | 787198006 | Main feed con. shaft | |
| 19 | 650136009 | Ring | |
| 20 | 798616009 | Feed adjusting base unit | |
| 21 | 793119105 | Feed adjusting base | |
| 22 | 793114007 | Sub feed connecting arm | |
| 23 | 793123009 | Spring | |
| 24 | 735071001 | Con. arm pin | |
| 25 | 000002806 | Snap ring E-6 | |
| 26 | 792034205 | Sub feed con. arm shaft | |
| 27 | 000001609 | Snap ring E-5 | |
| 28 | 787507002 | Side cover hinge | |
| 29 | 787165004 | Side cover hinge base | |
| 30 | 000081005 | Setscrew 4x8 | |
| 31 | 787081005 | Feed con. arm link | |
| 32 | 000002105 | Snap ring E-3 | |
| 33 | 787077008 | Connecting arm support | |
| 34 | 798056005 | Sticker | |
| 35 | 793118001 | Main shaft supporter | |
| 36 | 789030005 | Feed bar cover | |
| 37 | 100045000 | Sticker | |

PARTS LIST

| No. | Part No. | Part Name | Remark |
|-----|-----------|-----------------------------------------|--------|
| 1 | 798612005 | Face plate unit | |
| | 798612108 | Face plate unit (Canada) | |
| 2 | 798046002 | Face plate | |
| 3 | 840602006 | Thread cutter unit | |
| 4 | 000081016 | TP screw 4x8 | |
| 5 | 788601000 | Needle plate unit | |
| 6 | 789100007 | Eccentric pin | |
| 7 | 000111902 | H. socket screw 3x4 | |
| 8 | 681009101 | Plain screw | |
| 9 | 798031107 | Back cover set plate | |
| 10 | 000198305 | Setscrew 4x10 (B) | |
| 11 | 000115618 | TP screw 4x8 | |
| 12 | 787294003 | Back cover set plate | |
| 13 | 787019105 | Presser bar | |
| 14 | 777002001 | Bushing | |
| 15 | 798620006 | Pressure adjusting dial base plate unit | |
| 16 | 798010100 | Dial | |
| 17 | 000001609 | Snap ring E-5 | |
| 18 | 798011008 | Pressure adjusting dial base plate | |
| 19 | 000101404 | Setscrew 4x6 | |
| 20 | 787020006 | Presser bar spring | |
| 21 | 789117007 | Presser bar bracket | |
| 22 | 000111304 | H. socket screw 5x5 | |
| 23 | 650032015 | Presser lifter | |
| 24 | 810431009 | Hinge screw | |
| 25 | 788501009 | Presser foot unit | |
| 26 | 787541008 | Foot holder unit | |
| 27 | 788502000 | Presser foot (lower) unit | |
| 28 | 660106001 | Setscrew | |
| 29 | 798607007 | Belt cover unit | |
| 30 | 798038104 | Belt cover | |
| 31 | 798502001 | Micro switch unit | |
| 32 | 000225209 | Setscrew 2.3x12 (B) | |
| 33 | 798039002 | Switch lever | |
| 34 | 798040006 | Spring | |
| 35 | 000014007 | Snap ring CS-4 | |
| 36 | 100517008 | Sticker (Canada) | |

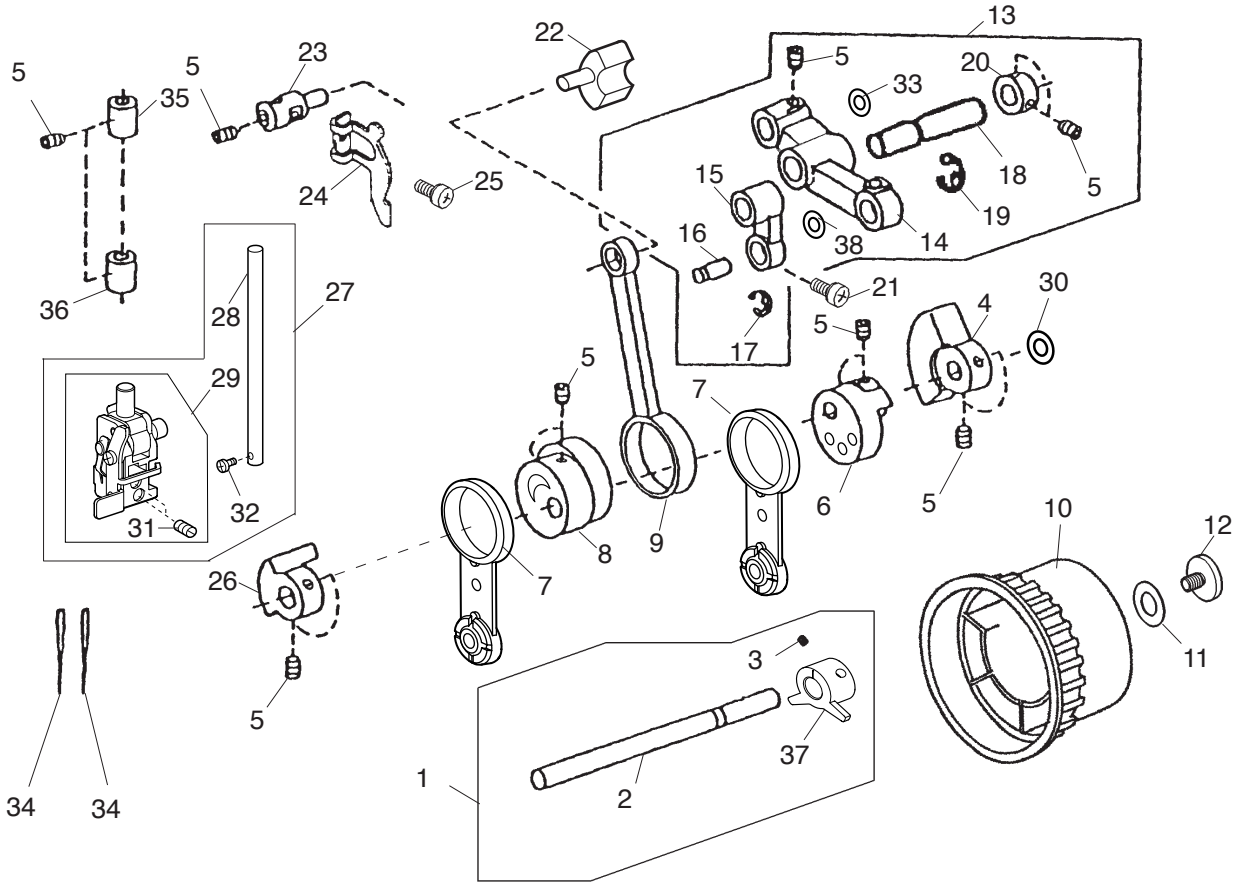
PARTS LIST



PARTS LIST

| No. | Part No. | Part Name | Remark |
|-----|-----------|--------------------------------|--------|
| 1 | 792618405 | Motor unit | |
| | 792617208 | Motor unit (Canada) | |
| | 023271429 | Motor unit (Australia) | |
| 2 | 655681478 | Lamp socket com. unit | |
| | 787633307 | Lamp socket com. unit (Canada) | |
| 3 | 777502305 | Plug con. rec. unit | |
| | 777504307 | Plug con. rec. unit (Canada) | |
| 4 | 784128028 | Plug. con. receptacle cover | |
| 5 | 000121905 | Setscrew 4x12 (B) | |
| 6 | 798504003 | Cord | |
| 7 | 000081005 | Setscrew 4x8 | |
| 8 | 000009009 | Lamp 240V 15W BA15D | |
| | 000009803 | Lamp 120V 15W | |
| 9 | 000120214 | Setscrew 3x8 (B) | |
| 10 | 000115504 | TP screw 5x10 | |
| 11 | 793125001 | Timing belt | |
| 12 | 798613006 | Looper cover guide unit | |
| 13 | 798034007 | Looper cover guide | |
| 14 | 000062402 | Nut | |
| 15 | 000103510 | Setscrew 4x10 | |
| 16 | 000078320 | Setscrew 3x6 | |
| 17 | 798035008 | Side cover set plate | |
| 18 | 789610049 | Base plate unit | |
| 19 | 789034009 | Base plate | |
| 20 | 787204006 | Washer (2) | |
| 21 | 000061205 | Nut | |
| 22 | 784135006 | Rubber cushion | |
| 23 | 000070300 | Washer | |
| 24 | 784169009 | Hinge screw | |
| 25 | 785260004 | Washer | |
| 26 | 798610003 | Looper cover unit | |
| | 798610209 | Looper cover unit (Canada) | |
| 27 | 798032108 | Looper cover | |
| 28 | 793009008 | Looper cover supporter | |
| 29 | 792027009 | Looper cover shaft | |
| 30 | 792028000 | Looper cover spring | |
| 31 | 000002105 | Snap ring E-3 | |
| 32 | 798033006 | Holder | |
| 33 | 788618000 | Spreader unit | |
| 34 | 000115216 | TP screw 4x6 | |
| 35 | 100045000 | Sticker (Canada) | |
| 36 | 000101404 | Setscrew 4x6 | |

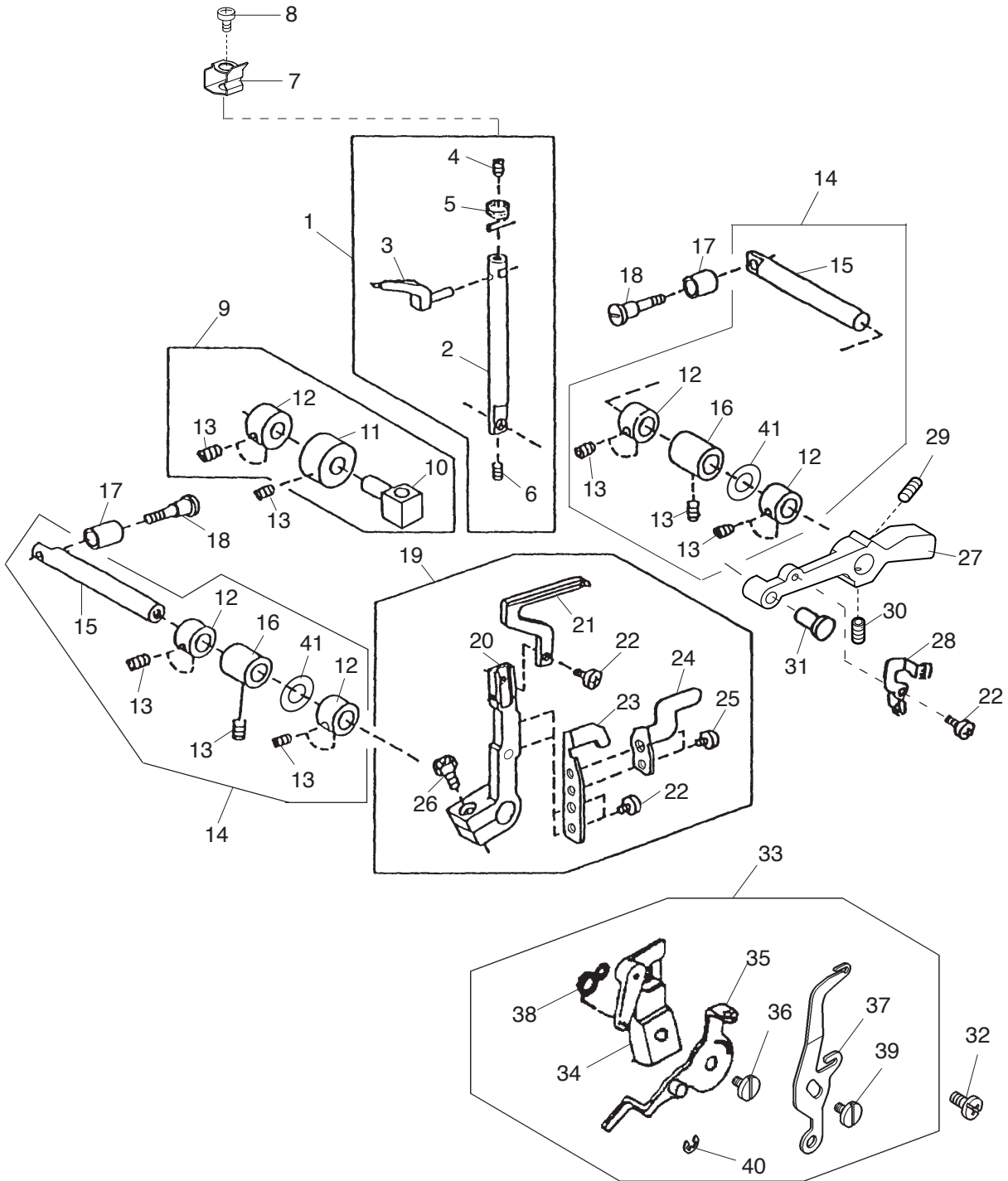
PARTS LIST



PARTS LIST

| No. | Part No. | Part Name | Remark |
|-----|-----------|--------------------------|--------|
| 1 | 792619015 | Main shaft unit | |
| 2 | 789001007 | Main shaft | |
| 3 | 000111304 | H. socket screw 5x5 | |
| 4 | 787176008 | Balance weight (right) | |
| 5 | 000111201 | H. socket screw 4x4 | |
| 6 | 787004107 | Upper looper cam | |
| 7 | 792951001 | Looper cam ring | |
| 8 | 793121007 | Needle bar cam | |
| 9 | 793120006 | Needle bar crank rod | |
| 10 | 793102116 | Handwheel | |
| 11 | 556047007 | Washer | |
| 12 | 618070004 | Screw | |
| 13 | 789612007 | Needle bar crank unit | |
| 14 | 789104001 | Needle bar crank | |
| 15 | 789007003 | Needle bar link | |
| 16 | 784022009 | Link pin | |
| 17 | 000001609 | Snap ring E-5 | |
| 18 | 789008004 | Needle bar crank shaft | |
| 19 | 000002909 | Snap ring E-7 | |
| 20 | 624245001 | Ring | |
| 21 | 000101703 | Setscrew 4x12 | |
| 22 | 793606001 | Needle bar balancer pin | |
| 23 | 784024012 | Needle bar stud | |
| 24 | 788004007 | Take-up lever | |
| 25 | 000078320 | Setscrew 3x6 | |
| 26 | 792037002 | Balance weight (left) | |
| 27 | 798601001 | Needle bar unit | |
| 28 | 798001005 | Needle bar | |
| 29 | 798627003 | Needle clamp unit | |
| 30 | 000038605 | Washer | |
| 31 | 888264000 | Needle clamp screw | |
| 32 | 000041209 | Setscrew 1.7x6 | |
| 33 | 000038502 | Washer | |
| 34 | 784157015 | Needle HAx1 SP-14 | |
| 35 | 784027004 | Needle bar upper bushing | |
| 36 | 798008002 | Needle bar lower bushing | |
| 37 | 792041021 | Balance ring | |
| 38 | 000039905 | Washer | |

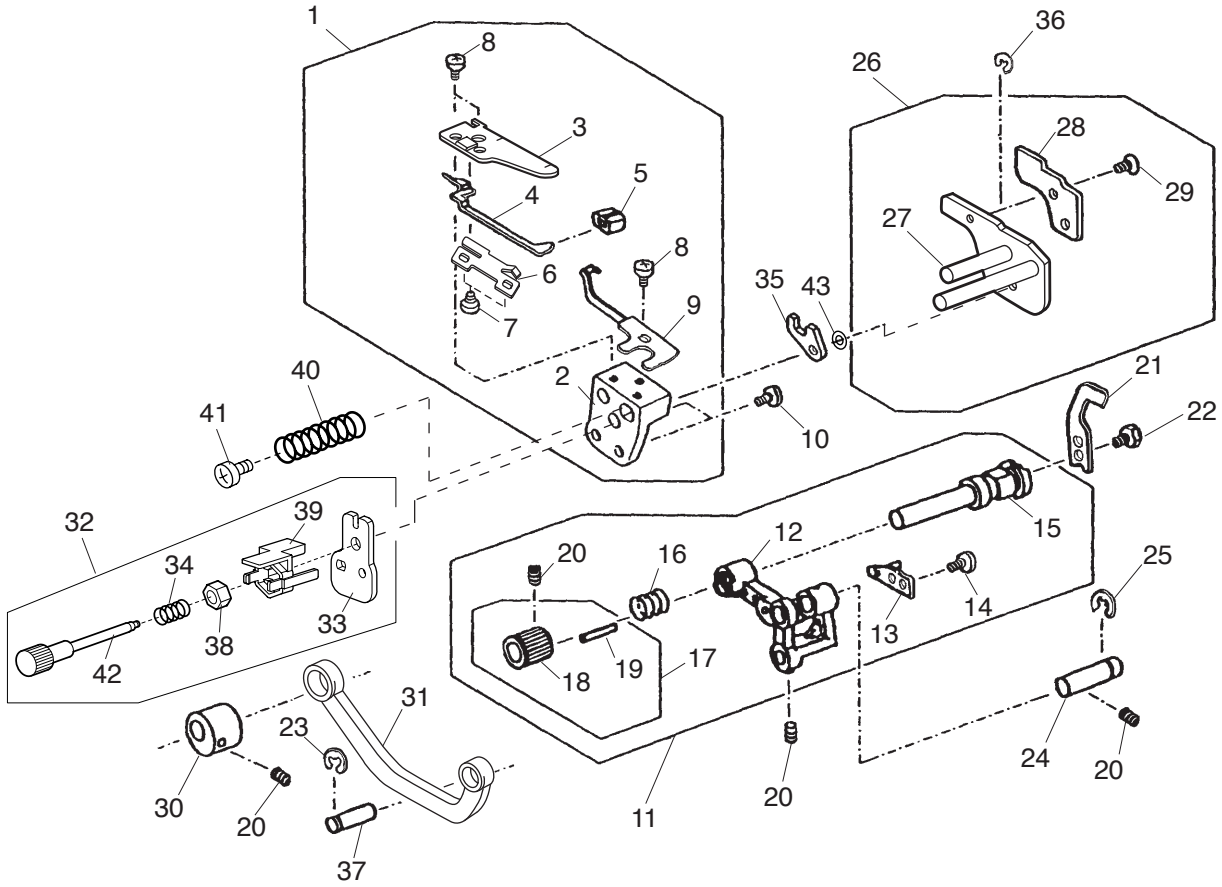
PARTS LIST



PARTS LIST

| No. | Part No. | Part Name | Remark |
|-----|-----------|-----------------------------|--------|
| 1 | 794636106 | Upper looper shaft unit | |
| 2 | 788039001 | Upper looper shaft | |
| 3 | 792055017 | Upper looper | |
| 4 | 000112501 | H. socket screw 4x4 | |
| 5 | 784077009 | U. looper thread guide | |
| 6 | 000177205 | H. socket screw 3x6 | |
| 7 | 788040005 | Spreader set plate | |
| 8 | 788041006 | Setscrew | |
| 9 | 792614009 | U. looper shaft guide unit | |
| 10 | 792038003 | U. looper shaft guide | |
| 11 | 792039004 | Bushing | |
| 12 | 792048006 | Ring | |
| 13 | 000111201 | H. socket screw 4x4 | |
| 14 | 792630001 | U. looper crank shaft unit | |
| 15 | 787105006 | U. looper crank shaft | |
| 16 | 787104005 | Bushing | |
| 17 | 787107101 | Crank spacer | |
| 18 | 787108009 | Crank setscrew | |
| 19 | 792628017 | Lower looper unit | |
| 20 | 785024107 | L. looper base (2) | |
| 21 | 792056007 | Lower looper | |
| 22 | 000078320 | Setscrew 3x6 | |
| 23 | 788042007 | Rear needle guard | |
| 24 | 790008008 | Front needle guard | |
| 25 | 000099006 | H. socket screw 3x4 | |
| 26 | 000138008 | H. socket screw 4x16 | |
| 27 | 793110003 | U. looper waving arm | |
| 28 | 788038309 | Looper thread guide (L2) | |
| 29 | 000111304 | H. socket screw 5x5 | |
| 30 | 000110107 | H. socket screw 5x5 | |
| 31 | 789116006 | Upper looper pin | |
| 32 | 000101415 | Setscrew 4x6 | |
| 33 | 790605104 | Thread guide supporter unit | |
| 34 | 790009009 | Lower looper | |
| 35 | 790010209 | Looper thread guide (2) | |
| 36 | 788047002 | Hinge screw (1) | |
| 37 | 790011200 | Looper thread guide (3) | |
| 38 | 790012005 | Lower looper spring | |
| 39 | 788048003 | Hinge screw (2) | |
| 40 | 000002105 | Snap ring E-3 | |
| 41 | 000038502 | Washer | |

PARTS LIST



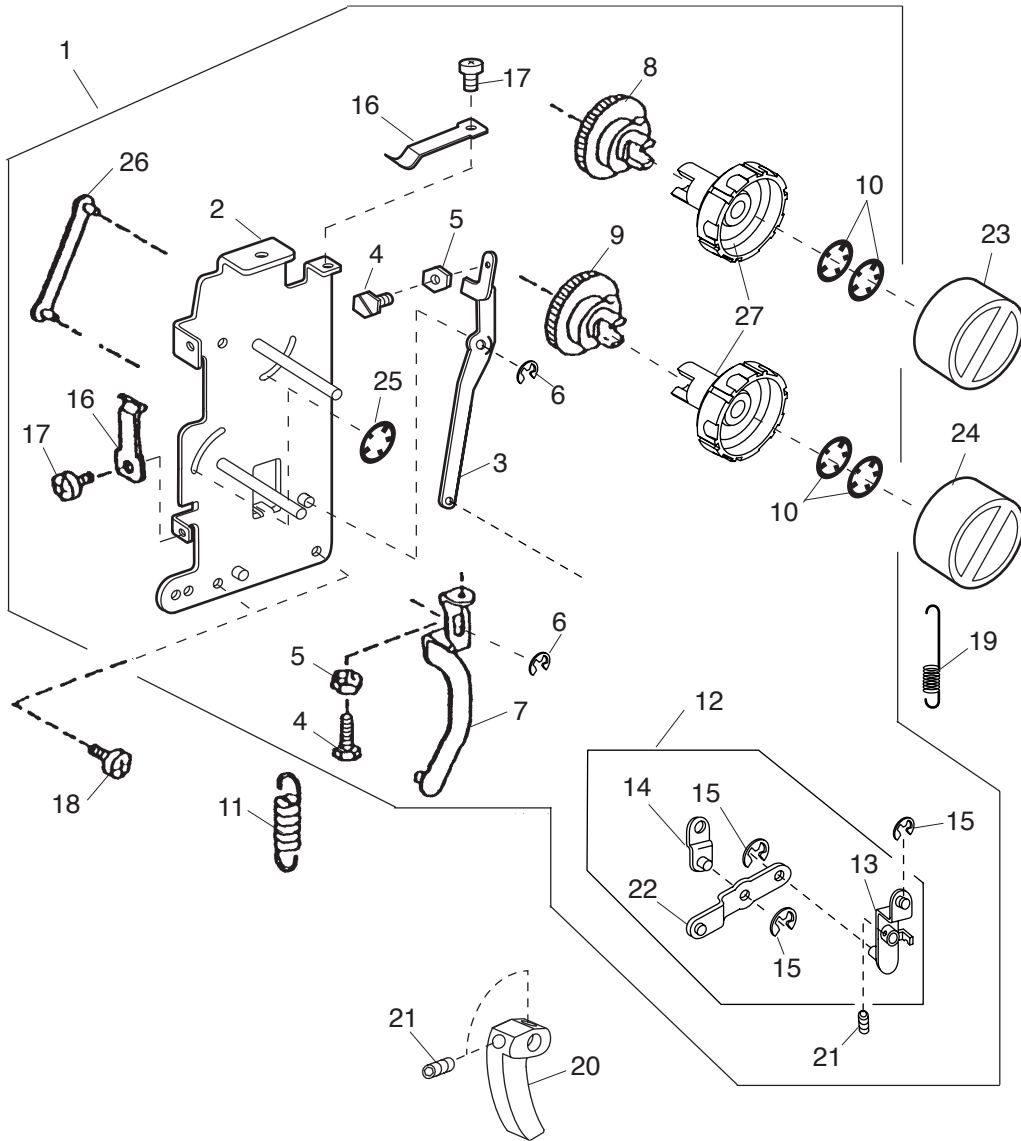
PARTS LIST

| No. | Part No. | Part Name | Remark |
|-----|-----------|------------------------------|--------|
| 1 | 792613008 | Chaining finger bracket unit | |
| 2 | 788015001 | Chaining finger bracket | |
| 3 | 789106003 | Chaining finger set plate | |
| 4 | 788017003 | Chaining finger | |
| 5 | 787041003 | Needle plate setting knob | |
| 6 | 788018004 | Chaining finger spring | |
| 7 | 000074603 | Setscrew 2x4 | |
| 8 | 000078320 | Setscrew 3x6 | |
| 9 | 788019005 | Fixed needle guard | |
| 10 | 000081005 | Setscrew 4x8 | |
| 11 | 788602001 | Upper knife drive arm unit | |
| 12 | 788097007 | Upper knife drive arm | |
| 13 | 784041004 | Upper knife guide | |
| 14 | 810220003 | Setscrew 4x6.5 | |
| 15 | 788009002 | Upper knife supporter | |
| 16 | 784043006 | Spring | |
| 17 | 784607004 | Upper knife knob unit | |
| 18 | 784044007 | Upper knife knob | |
| 19 | 000003601 | Spring pin 2x14 | |
| 20 | 000111201 | H. socket screw 4x4 | |
| 21 | 788127007 | Upper knife | |
| 22 | 624303008 | H. bolt 4x6 | |
| 23 | 000001609 | Snap ring E-5 | |
| 24 | 787022008 | Pin | |
| 25 | 000002909 | Snap ring E-7 | |
| 26 | 798628004 | Lower knife unit | |
| 27 | 798053002 | Lower knife set plate | |
| 28 | 788013009 | Lower knife | |
| 29 | 000102221 | Setscrew 4x6 | |
| 30 | 788008001 | Upper knife drive cam | |
| 31 | 789009005 | Upper knife connecting rod | |
| 32 | 798602002 | Lower knife guide shaft unit | |
| 33 | 798048004 | Guide plate | |
| 34 | 798055004 | Spring | |
| 35 | 788021011 | Nut | |
| 36 | 000001207 | Snap ring E-2.5 | |
| 37 | 787012005 | Pin | |
| 38 | 798020000 | Nut | |
| 39 | 798043102 | Nut holder | |
| 40 | 798054003 | Spring | |
| 41 | 000119106 | Setscrew 4x10 | |
| 42 | 798018005 | Lower knife guide shaft | |
| 43 | 000073200 | Washer | |

PARTS LIST

| No. | Part No. | Part Name | Remark |
|-----|-----------|-------------------------|--------|
| 1 | 792604006 | Feed bar unit | |
| 2 | 788022001 | Main feed bar | |
| 3 | 787054009 | Main feed bar drive arm | |
| 4 | 787055000 | Pin | |
| 5 | 000111902 | H. socket screw 3x4 | |
| 6 | 788024003 | Sub feed bar | |
| 7 | 787212007 | Sub feed drive arm | |
| 8 | 787059004 | Pin | |
| 9 | 787305008 | Feed bar base | |
| 10 | 787306009 | Feed driving arm pin | |
| 11 | 787065003 | Feed bar link | |
| 12 | 787066004 | Feed rocking link | |
| 13 | 787068006 | Pin | |
| 14 | 000111201 | H. socket screw 4x4 | |
| 15 | 792008004 | Block | |
| 16 | 787072003 | Main feed drive cam | |
| 17 | 787073004 | Sub feed drive cam | |
| 18 | 788023002 | Main feed dog bracket | |
| 19 | 000068811 | Setscrew 3.5x10 | |
| 20 | 788027006 | Main feed dog | |
| 21 | 000066705 | Setscrew 3x8 | |
| 22 | 789018007 | Sub feed dog | |
| 23 | 000104201 | Setscrew 3.5x10 | |
| 24 | 000201405 | TP screw 4x16 | |

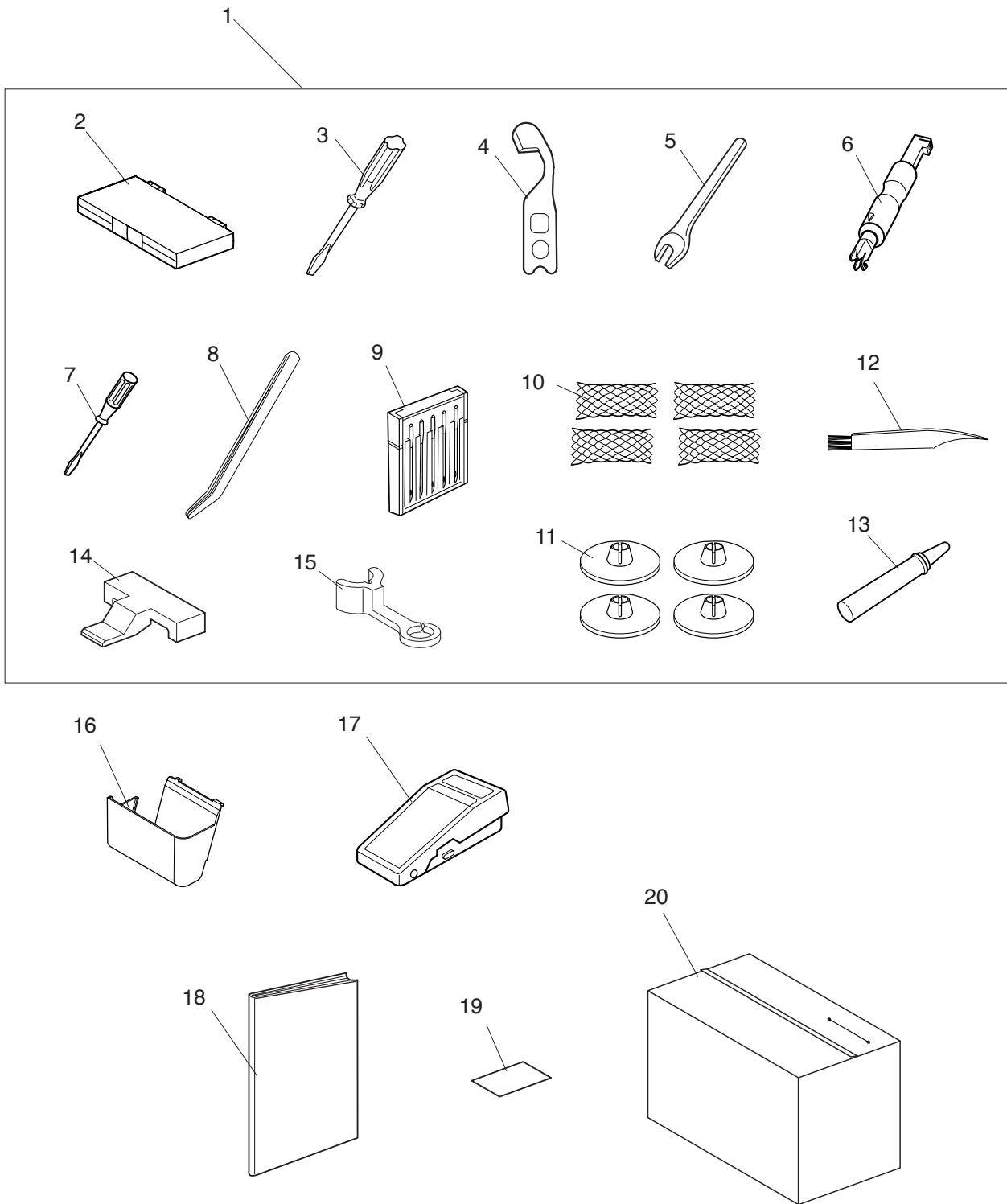
PARTS LIST



PARTS LIST

| No. | Part No. | Part Name | Remark |
|-----|-----------|-------------------------|--------|
| 1 | 798603003 | Feed adjuster unit | |
| 2 | 798019006 | Set plate | |
| 3 | 792013002 | Feed rod | |
| 4 | 785224006 | Adjustable screw | |
| 5 | 000160102 | Adjustable nut | |
| 6 | 000001609 | Snap ring E-5 | |
| 7 | 792014003 | Differential rod | |
| 8 | 792015004 | S. length adj. cam | |
| 9 | 788036008 | Dif. adj. cam | |
| 10 | 000013800 | Snap ring CS-6 | |
| 11 | 787259006 | Spring | |
| 12 | 792605007 | Main feed con. arm unit | |
| 13 | 792040008 | Main feed con. arm | |
| 14 | 788031003 | Dif. transfer arm | |
| 15 | 000002105 | Snap ring E-3 | |
| 16 | 787263003 | Spring | |
| 17 | 000081119 | Setscrew 4x6 | |
| 18 | 000081005 | Setscrew 4x8 | |
| 19 | 792011000 | Spring | |
| 20 | 788032004 | Sub feed con. arm | |
| 21 | 000111201 | H. socket screw 4x4 | |
| 22 | 787266006 | Feed con. plate | |
| 23 | 798022105 | S. length dial | |
| 24 | 798022208 | Dif. dial | |
| 25 | 000014306 | Snap ring CS-3 | |
| 26 | 788037009 | Link | |
| 27 | 798021001 | Connecting stud | |

PARTS LIST



PARTS LIST

| No. | Part No. | Part Name | Remark |
|-----|-----------|-------------------------------|--------|
| 1 | 798870003 | Accessory unit | |
| 2 | 843823004 | Accessory box | |
| 3 | 784810002 | Screwdriver (large) | |
| 4 | 788127007 | Upper knife | |
| 5 | 784809008 | Spanner | |
| 6 | 202024002 | Needle threader | |
| 7 | 792030005 | Screwdriver (small) | |
| 8 | 624801001 | Tweezes | |
| 9 | 784860100 | Needle set | |
| 10 | 624806006 | Net | |
| 11 | 822020503 | Spool cap | |
| 12 | 802424004 | Lint brush | |
| 13 | 741814003 | Oil | |
| 14 | 797813005 | Pre-tension release clip | |
| 15 | 797820005 | Aux. thread guide | |
| 16 | 798042101 | Waste catcher | |
| 17 | C-2060 | Foot control (CEE) | |
| | C-1028 | Foot control (USA, Canada) | |
| 18 | 798800024 | Instruction book (Spanish) | |
| | 798800002 | Instruction book (English) | |
| | 798800013 | Instruction book (En, Fr, Ge) | |
| 19 | 798801003 | Sticker | |
| 20 | 785808103 | Cover | |