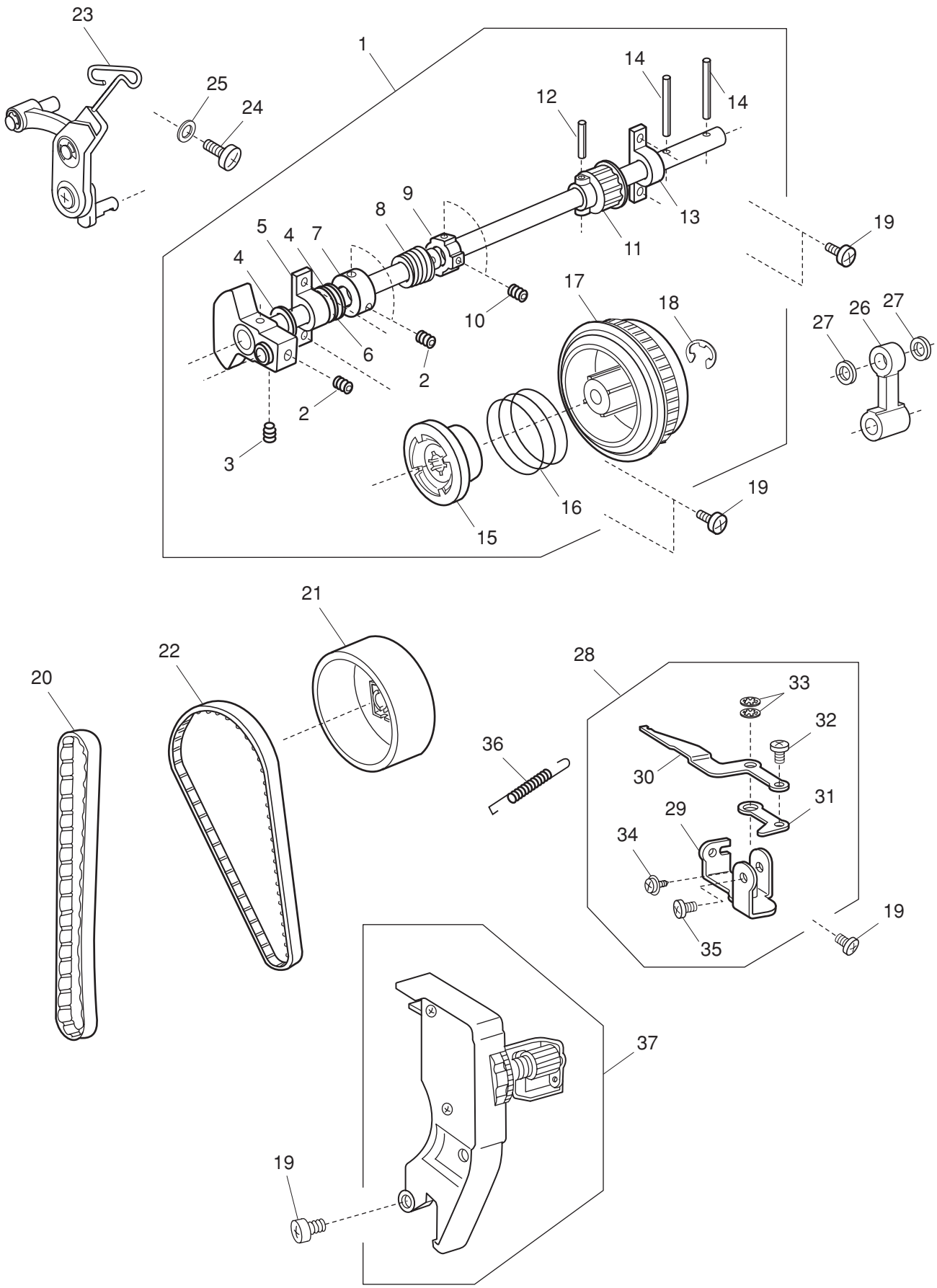


PARTS LIST

MODEL: eXplore 160

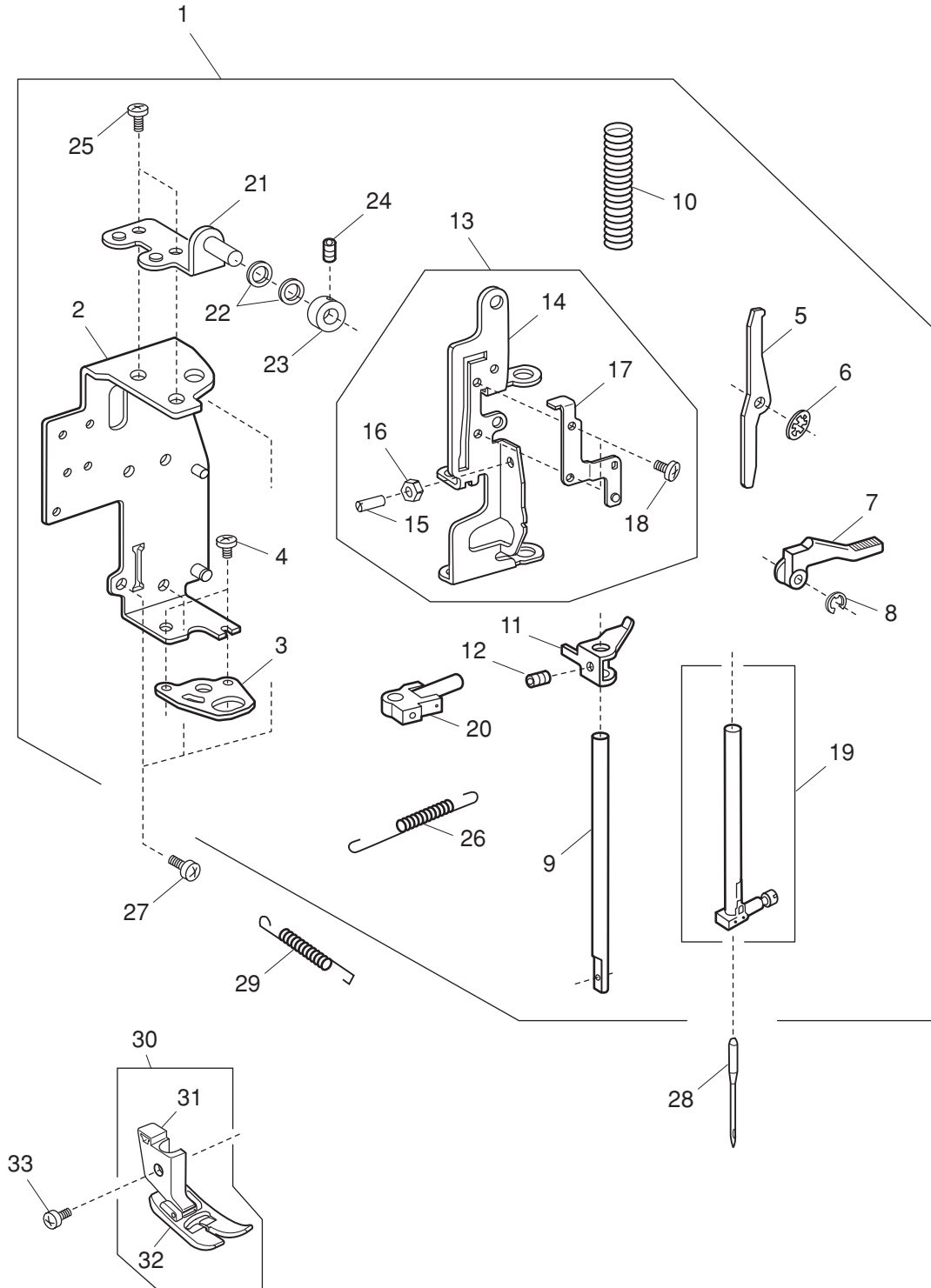
PARTS LIST



PARTS LIST

KEY NO.	PARTS NO.	DESCRIPTION
1	508603008	Upper shaft (unit)
2	000111201	Hexagonal socket screw 4x4
3	000112800	Hexagonal socket screw 4x6
4	000036201	Washer FT80
5	508120006	Shaft fixing metal
6	823110010	Felt
7	820166001	Lower shaft ring
8	508019001	Worm
9	508020005	Ring
10	000111108	Hexagonal socket screw 4x6
11	508021006	Upper shaft gear
12	000004200	Spring pin 3x18
13	508054101	Shaft fixing metal
14	000024206	Spring pin 3x30
15	502064003	Clutch ring
16	661024007	Clutch spring
17	508055009	Belt wheel
18	000002806	Snap ring E-6
19	000081005	Setscrew 4x8
20	508022007	Syncro belt S5M
21	508056000	Handwheel
22	753234011	Timing belt
23	508601006	Thread take-up lever (unit)
24	000103509	Setscrew 4x10
25	000072302	Washer 4
26	508017009	Needle bar crank rod
27	000036005	Washer FT60
28	508617005	Thread tension set plate (unit)
29	508051005	Thread tension set plate
30	508052006	Thread tension release arm
31	639025009	Thread tension release adjusting arm
32	000103808	Setscrew 3x5
33	000013903	Snap ring CS-5
34	000115205	Setscrew TP 4x6
35	810220003	Setscrew
36	639026000	Thread tension release lever spring
37	508508002	Thread tension (unit)

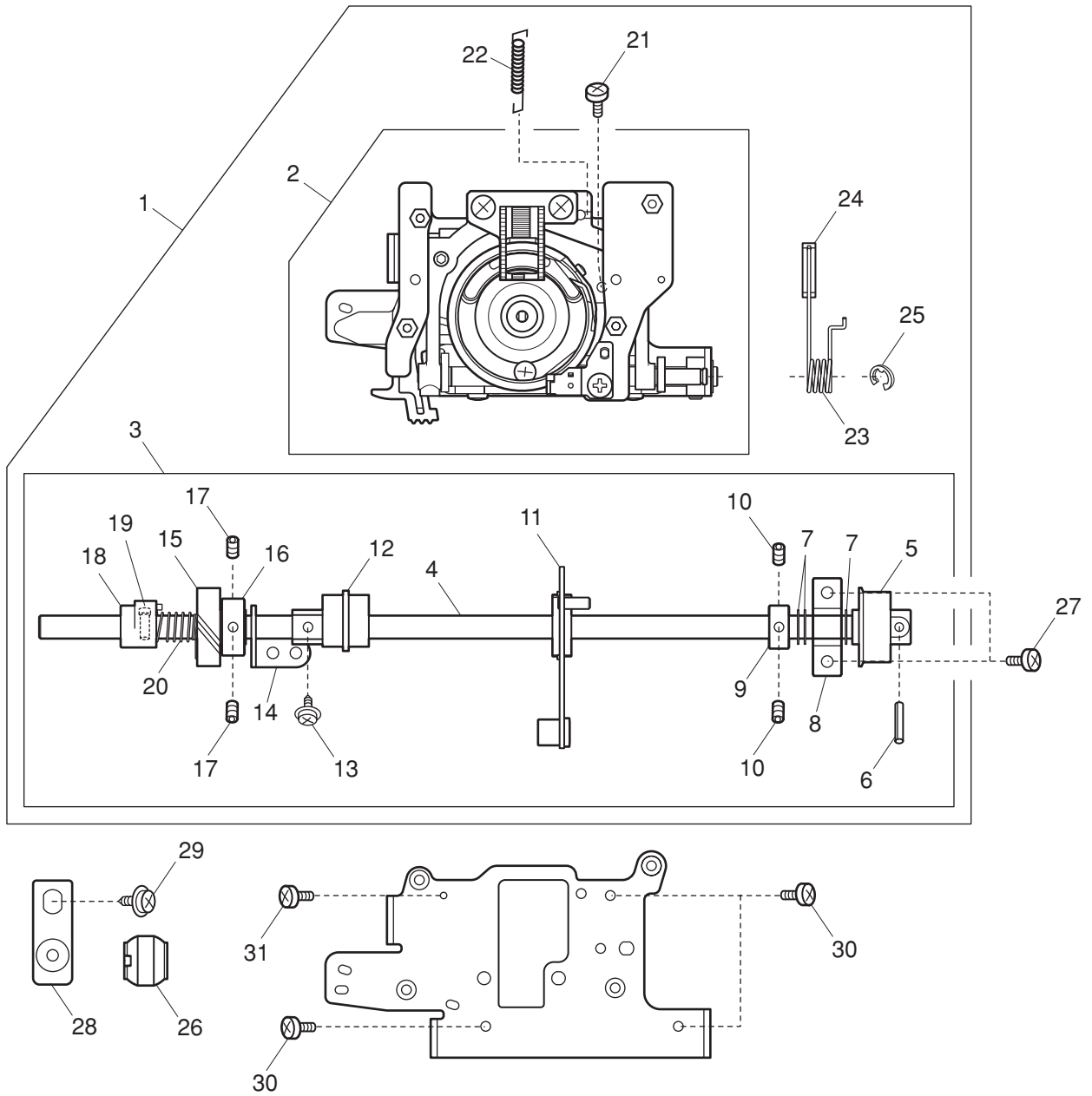
PARTS LIST



PARTS LIST

KEY NO.	PARTS NO.	DESCRIPTION
1	508605000	Presser bar base plate (unit)
2	508036004	Presser bar base plate
3	508037005	Needle drop adjusting plate
4	000101507	Setscrew 3.5x5
5	508040001	Thread tension release lever
6	000013903	Snap ring CS-5
7	735029004	Presser foot lifter
8	000001609	Snap ring E-5
9	508002001	Presser bar
10	508038006	Presser bar spring
11	508039007	Presser bar supporter
12	000111500	Hexagonal socket screw 4x8
13	508606001	Needle bar supporter (unit)
14	508041002	Needle bar supporter
15	648010009	Setscrew
16	000160102	Adjustable lock nut 4
17	660065007	Zigzag width rod guide
18	000101105	Setscrew 3x4
19	508607002	Needle bar (unit)
20	508509003	Needle bar connecting stud (unit)
21	660068000	Supporter adjusting plate
22	000036500	Washer FT60
23	650136009	Ring
24	000111201	Hexagonal socket screw 4x4
25	000101404	Setscrew 4x6
26	639110002	Needle bar supporter spring 2
27	000081005	Setscrew 4x8
28	102408089	Needle
29	639017008	Needle bar supporter spring
30	508639003	Presser foot (unit)
31	508801008	Presser foot holder
32	508502006	Zigzag foot (unit)
33	660106001	Setscrew

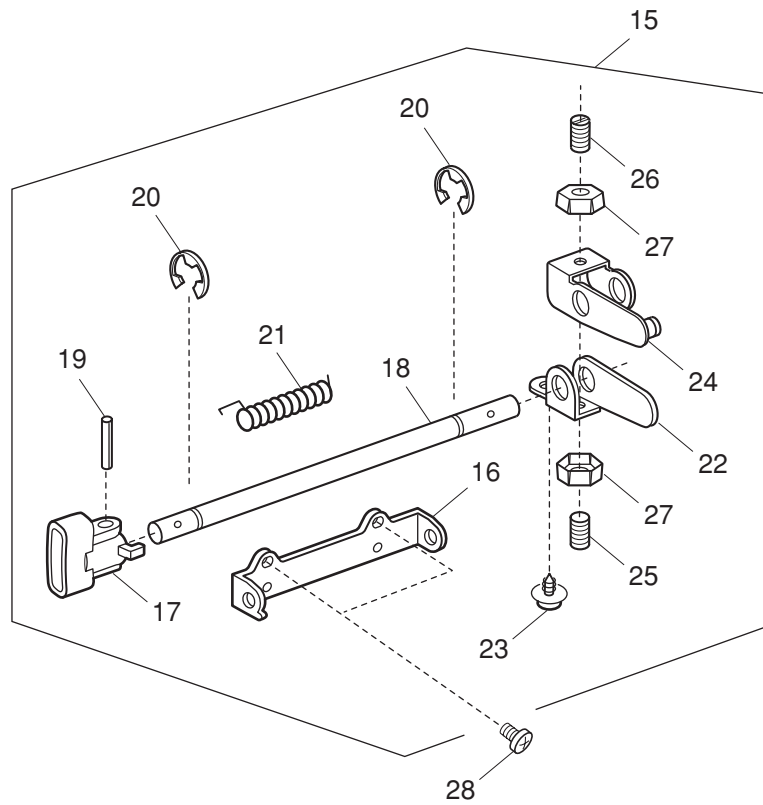
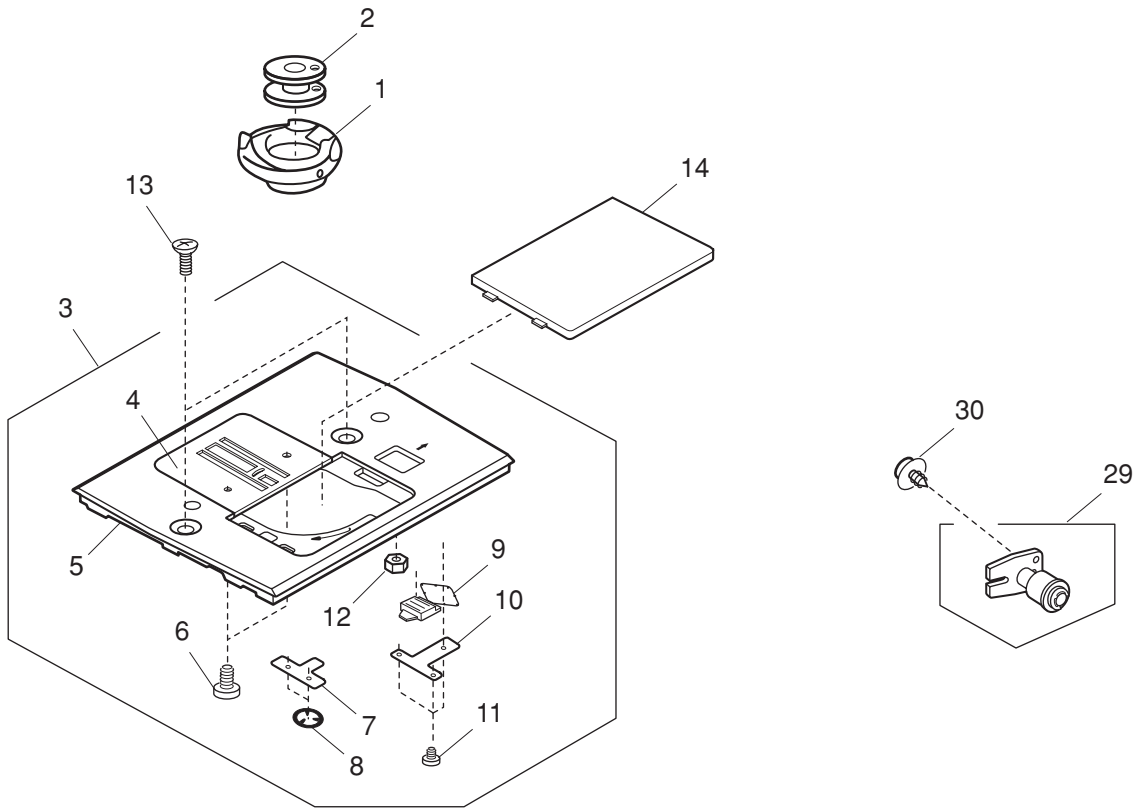
PARTS LIST



PARTS LIST

KEY NO.	PARTS NO.	DESCRIPTION
1	508636103	Hook race (whole unit)
2	508650000	Hook race (unit)
3	508611205	Lower shaft (unit)
4	508058002	Lower shaft
5	508021006	Upper shaft gear
6	000004200	Knock pin 3x18
7	000038502	Washer
8	508054101	Shaft fixing metal
9	820166001	Lower shaft ring
10	000111201	Hexagonal socket screw 4x4
11	508610008	Feed fork (unit)
12	508200001	Feed cam
13	000115009	Setscrew TP 3x8
14	508098004	Lower shaft supporter plate
15	508023008	Lower gear
16	508020005	Ring
17	000111108	Hexagonal socket screw 4x6
18	503165008	Feed lifting cam
19	820161006	Feed lifting pin
20	508113006	Feed lifting cam spring
21	000103705	Setscrew 4x5
22	508063000	Feed base spring
23	508065002	Feed fork spring
24	751152018	Feed fork spring plate
25	000002507	Snap ring E-4
26	732034003	Lower shaft bushing
27	000081005	Setscrew 4x8
28	502204007	Lower shaft bushing set plate
29	000115504	Setscrew TP 5x10
30	000101703	Setscrew 4x12
31	000081500	Setscrew 3x12

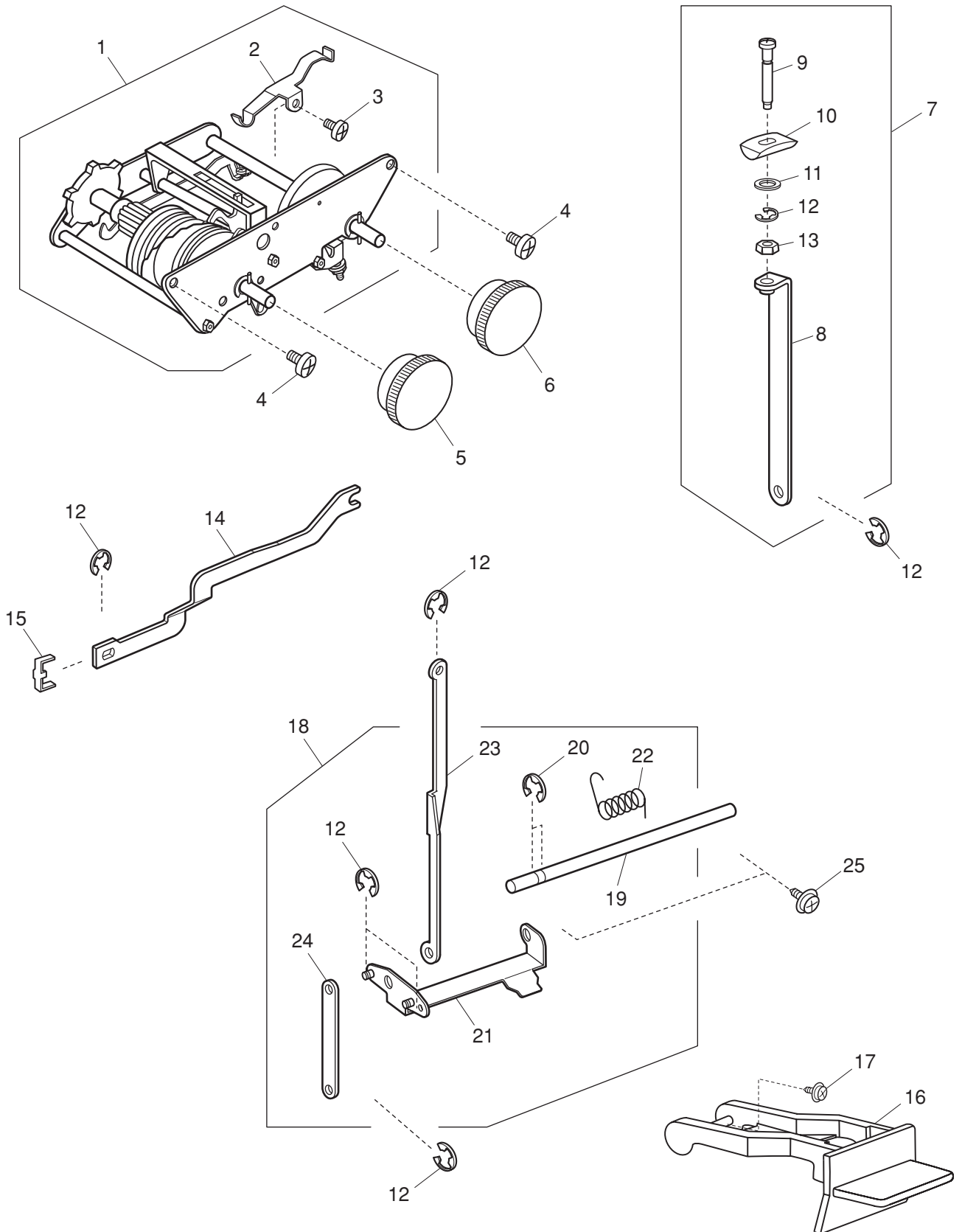
PARTS LIST



PARTS LIST

KEY NO.	PARTS NO.	DESCRIPTION
1	627569106	Bobbin holder (unit)
2	102261000	Bobbin
3	508612000	Needle plate (unit)
4	508033104	Needle plate
5	508034002	Support needle plate
6	000163703	Setscrew 2x3.5
7	502015009	Spring
8	000015503	Snap ring CS-2.4
9	502016000	Hook cover plate release button
10	502202005	Supporter plate
11	000130206	Setscrew 1.7x2.5 (B)
12	508116009	Nut
13	820390109	Setscrew
14	846271103	Hook cover plate
15	508613001	Feed regulator (unit)
16	508095001	Feed regulator shaft supporter
17	508067004	Feed regulator
18	508068005	Feed regulator shaft
19	000005108	Spring pin 2x18
20	000001609	Snap ring E-5
21	508069006	Feed regulator spring
22	508070000	Feed shaft set plate
23	000115906	Setscrew TP 3x12
24	508071001	Feed regulating plate
25	648010009	Setscrew
26	000159201	Setscrew 4x12
27	000160102	Adjustable lock nut 4
28	000081005	Setscrew 4x8
29	509614002	Idler (unit)
30	000115607	Setscrew TP 4x8

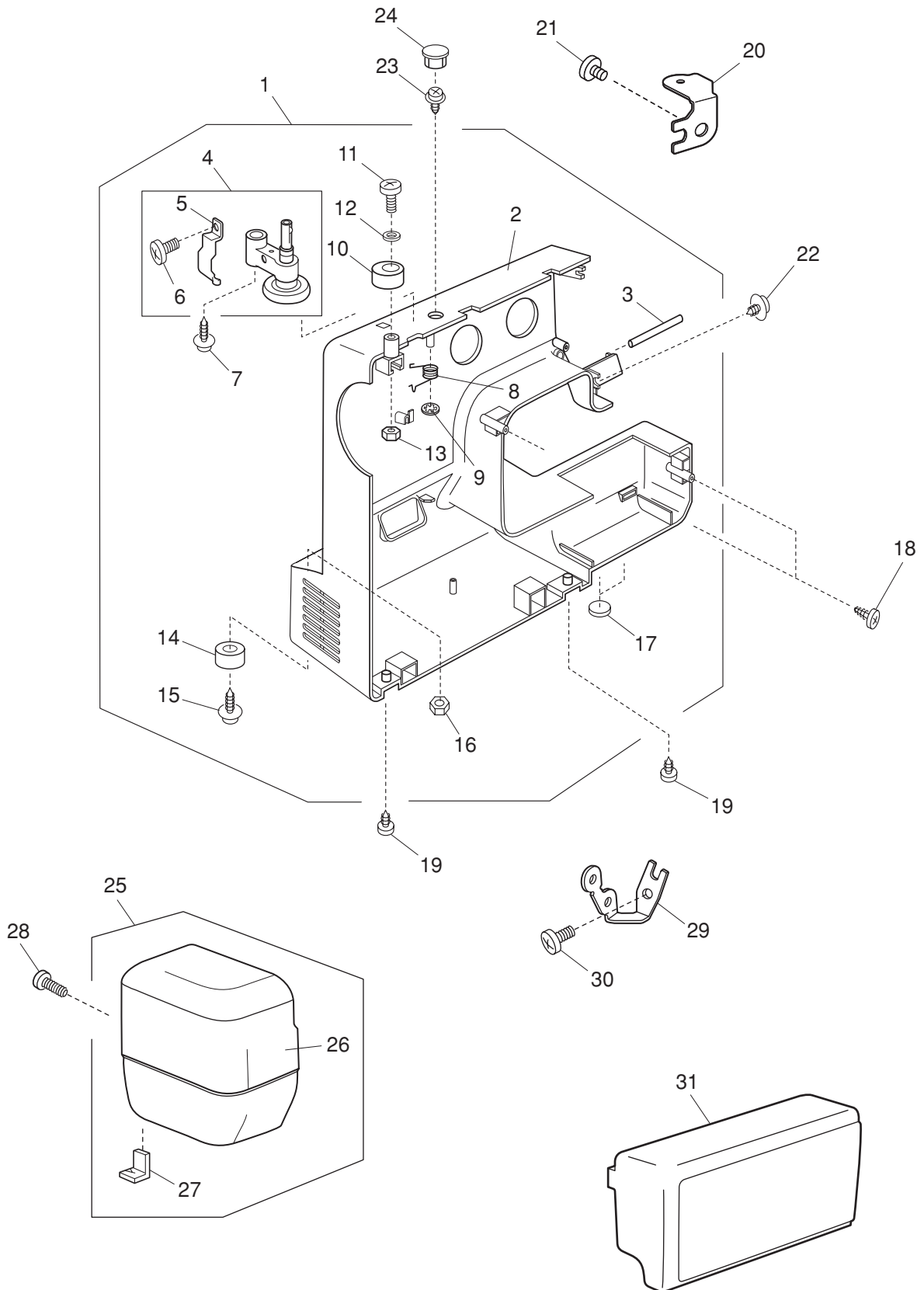
PARTS LIST



PARTS LIST

KEY NO.	PARTS NO.	DESCRIPTION
1	508615003	Cam block (unit)
2	737011009	Index spring
3	000103808	Setscrew 3x5
4	000081005	Setscrew 4x8
5	508112A08	Dial
6	508112A09	Dial
7	508637001	SS rod (unit)
8	508086009	SS rod
9	735074004	SS adjusting screw
10	735076006	SS rod block
11	000071013	Washer 4
12	000002105	Snap ring E-3
13	000160102	Adjustable lock nut 4
14	508089002	Zigzag width rod
15	639098003	Zigzag width rod back plate
16	508042106	R lever
17	000119106	Setscrew TP 4x10
18	508616200	Reverse stitch shaft (unit)
19	508099005	Reverse stitch shaft
20	000001609	Snap ring E-5
21	508101001	Feed link
22	508049000	R lever spring
23	508087000	Feed rod (1)
24	508106006	Feed rod (2)
25	000115700	Setscrew TP 4x10

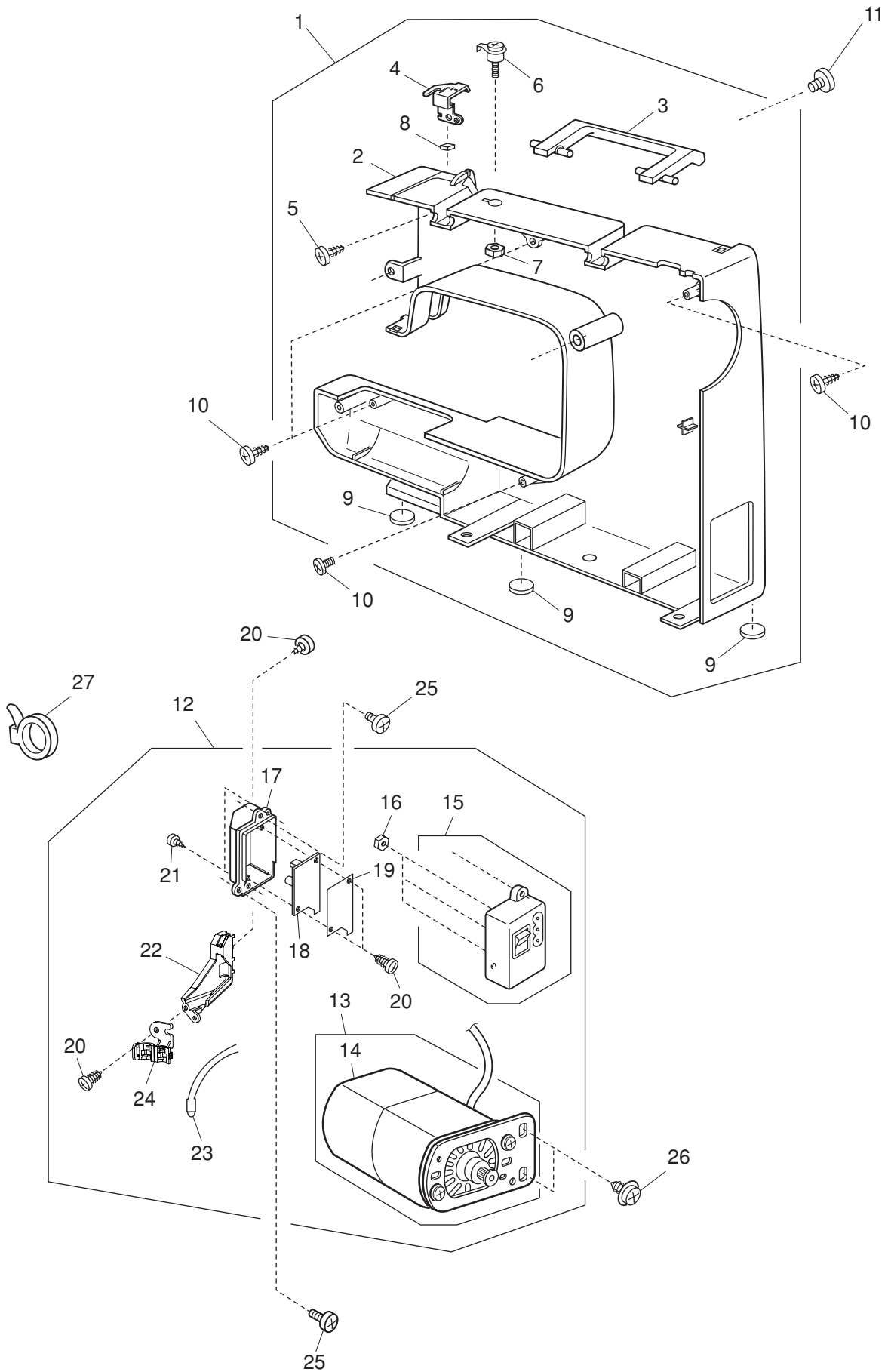
PARTS LIST



PARTS LIST

KEY NO.	PARTS NO.	DESCRIPTION
1	508628076	Front cover (unit)
2	508045A03	Front cover
3	639075004	Thread guide
4	508629000	Bobbin winder arm (unit)
5	508092008	Clutch lever
6	000078319	Setscrew 3x6
7	000109103	Setscrew 4x12
8	508030008	Spring
9	000013903	Snap ring CS-5
10	735016307	Bobbin winder stopper
11	000101828	Setscrew 4x16
12	000071013	Washer
13	000061205	Nut 4-3-7
14	639005003	Rubber foot
15	000201405	Setscrew TP 4x16
16	000160102	Adjustable lock nut 4
17	525010005	Rubber foot
18	000108308	Setscrew 4x20
19	000161310	Setscrew 3x12 (B)
20	508093009	Front cover set plate
21	000101404	Setscrew 4x6
22	000115205	Setscrew TP 4x6
23	000114709	Setscrew TP 3x6
24	653006101	Cap
25	508630129	Face plate (unit)
26	508047019	Face plate
27	840602006	Thread cutter (unit)
28	000170507	Setscrew 4x12
29	639080002	Front cover set plate
30	000081005	Setscrew 4x8
31	508046007	Extension table

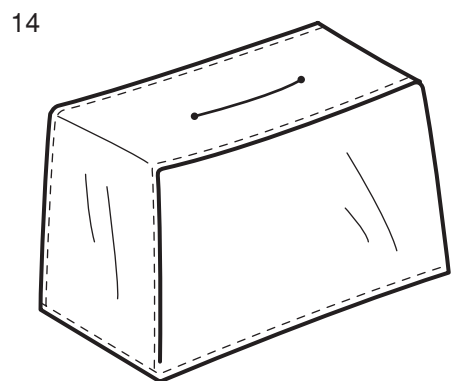
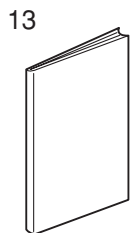
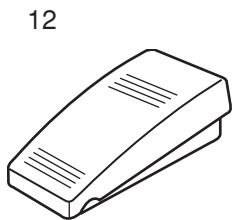
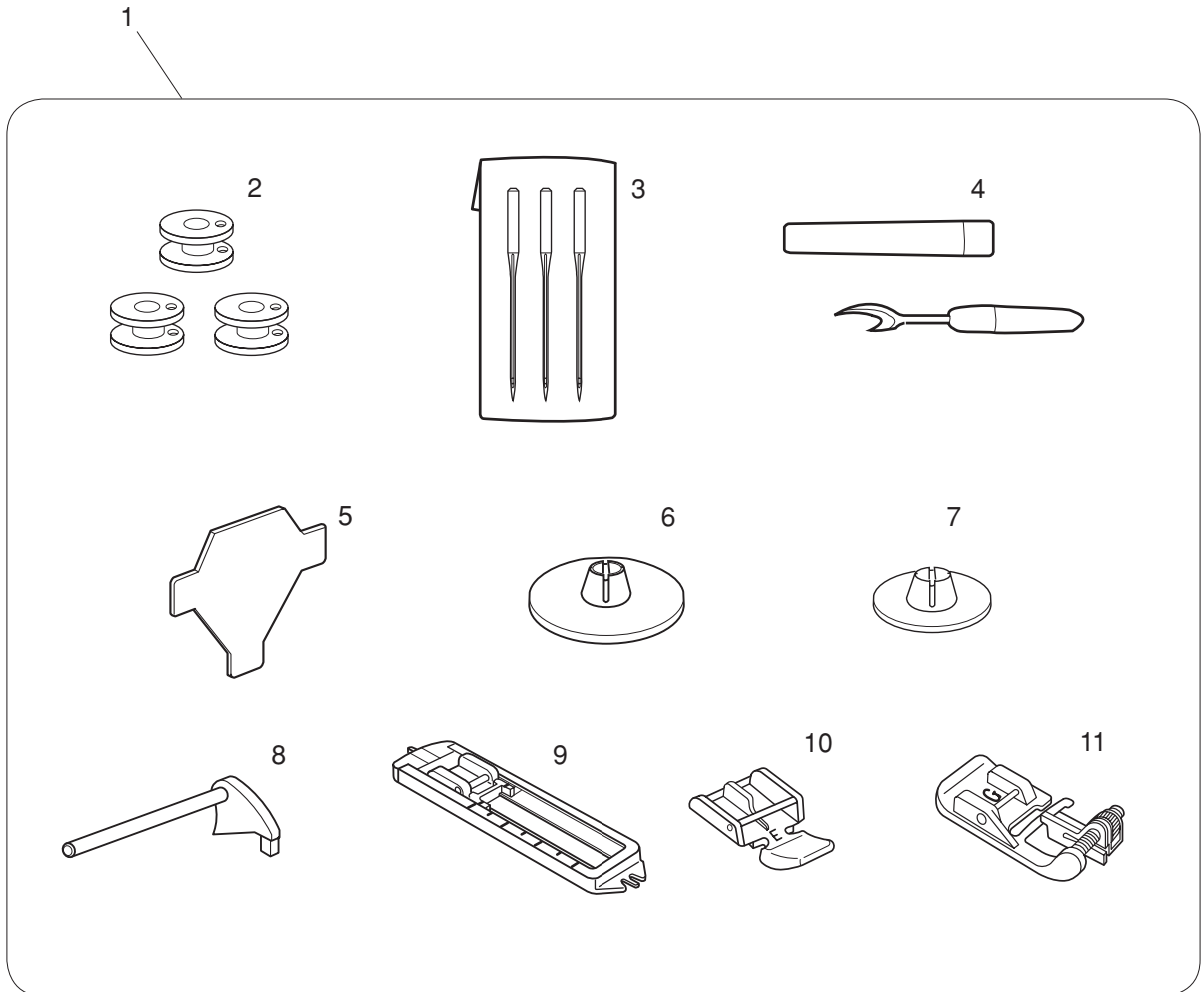
PARTS LIST



PARTS LIST

KEY NO.	PARTS NO.	DESCRIPTION
1	508627606	Rear cover (unit)
2	508044A01	Rear cover
3	508028003	Carrying handle
4	660618001	Threader guide plate (unit)
5	000107307	Setscrew 3x8 (B)
6	730501011	Threader guide plate (unit)
7	000160102	Adjustable lock nut 4
8	660077002	Felt
9	525010005	Rubber foot
10	000161310	Setscrew 3x12 (B)
11	000081005	Setscrew 4x8
12	508646405	Machine socket (whole unit)
13	508632006	Motor (unit)
14	024080215	Motor
15	739503308	Machine socket (unit)
16	000060802	Nut 3-1-5.5
17	508133002	Machine socket cover
18	508512102	Printed circuit board C (unit)
19	508134003	Insulating paper
20	000120203	Setscrew 3x8 (B)
21	000107802	Setscrew 3x10 (B)
22	508135004	LED set arm
23	508515002	LED (unit)
24	508143005	LED holder
25	000103509	Setscrew 4x10
26	000115504	Setscrew TP 5x10
27	000053008	Cord binder

PARTS LIST



PARTS LIST

KEY NO.	PARTS NO.	DESCRIPTION
1	508870101	Accessory set
2	102261000	Bobbin
3	639804000	Needle set (unit)
4	647808009	Seam ripper
5	653802002	Screwdriver
6	822020503	Large spool holder
7	822019509	Small spool holder
8	660005010	Additional spool pin
9	508803000	Buttonhole foot
10	829801002	Zipper foot
11	820817015	Blind hem foot
12	045501005	Foot control
13	508800904	Instruction book
14	661802007	Cover
